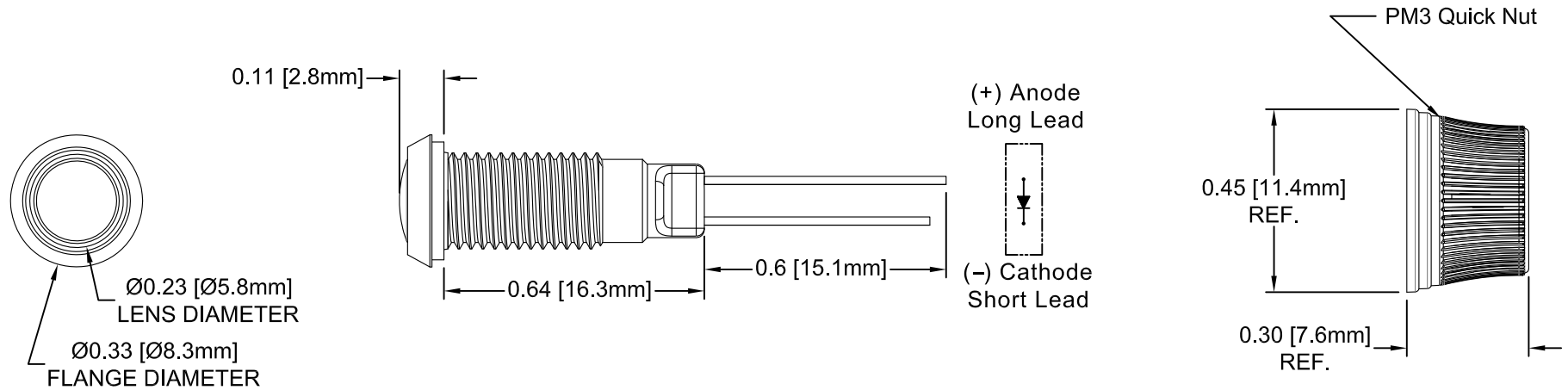
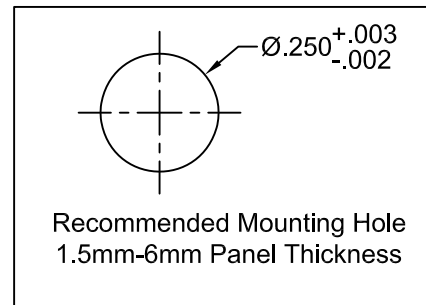
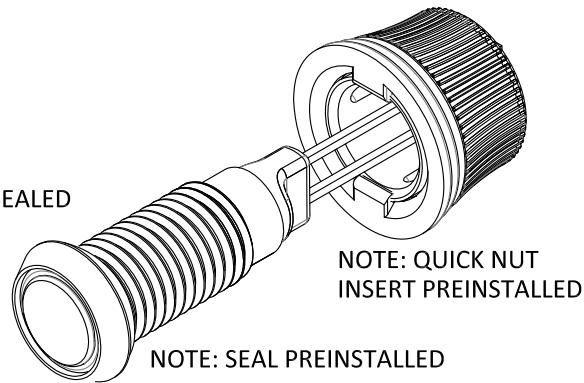



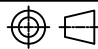
356 Series



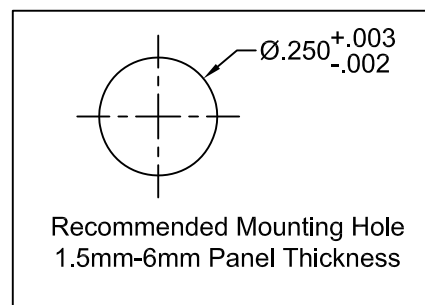
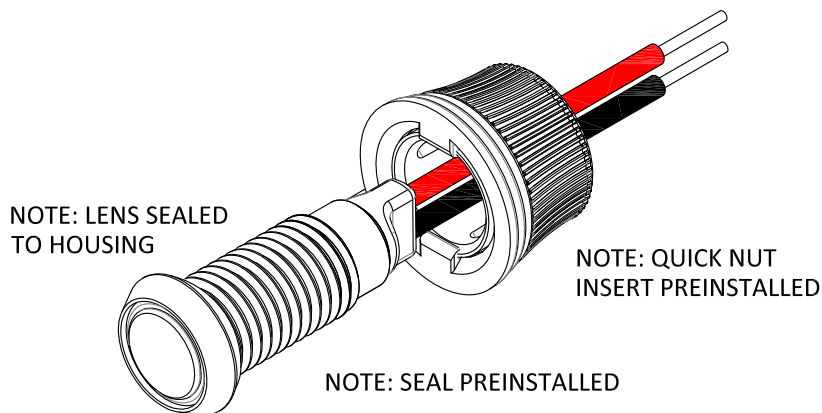
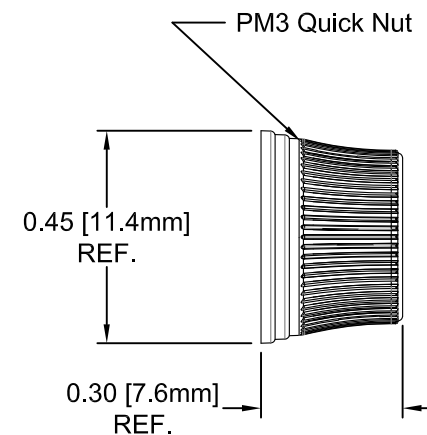
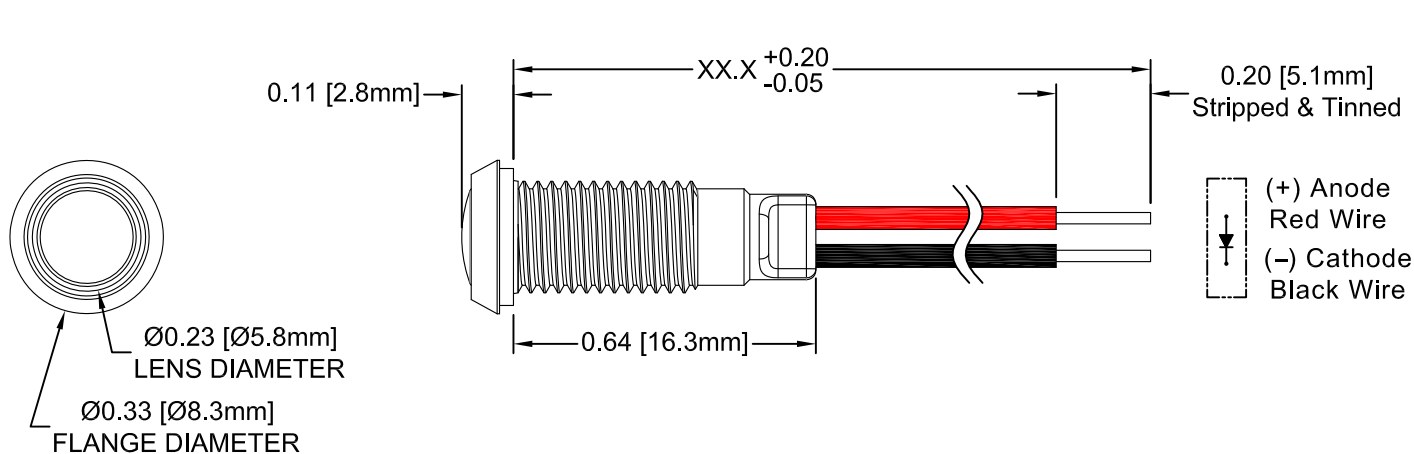
NOTE: LENS SEALED TO HOUSING



- NOTES:
1. ROHS COMPLIANT
 2. MOUNTING HARDWARE SHIPPED NON-ASSEMBLED


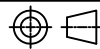
STANDARD TOLERANCE (UNLESS OTHERWISE SPECIFIED)		 MARL BUSINESS PARK, ULVERSTON, UK. LA12 9BN Tel: +44 (0)1229 582 430. Web: www.leds.co.uk
DECIMALS	ANGULAR	
.X ± .1	X° ± 1°	
.XX ± .02		TITLE: Quick-Mount Panel Mount Indicator
.XXX ± .010		PART NO: 356 Series
Issue 3		SHEET # 1 OF 3
		CAD GENERATED DOCUMENT, DO NOT MEASURE DRAWING.

356 Series (Flying Leads version)



Wire specification:
Red - Anode
Black - Cathode
24AWG - UL1061

- NOTES:
1. ROHS COMPLIANT
 2. MOUNTING HARDWARE SHIPPED NON-ASSEMBLED



STANDARD TOLERANCE (UNLESS OTHERWISE SPECIFIED)		 MARL BUSINESS PARK, ULVERSTON, UK. LA12 9BN Tel: +44 (0)1229 582 430. Web: www.leds.co.uk
DECIMALS	ANGULAR	
.X ± .1	X° ± 1°	TITLE: Quick-Mount Panel Mount Indicator PART NO: 356 Series SHEET # 2 OF 3
.XX ± .02		
.XXX ± .010		
		Issue 3 CAD GENERATED DOCUMENT, DO NOT MEASURE DRAWING.

Marl Part No.	LED Part Number	Peak Wave Length λ_p (nm)	Emitted Colour	Lens Appearance	Electro-Optical Data @ 20mA		Viewing Angle	Termination
					Typ Vf (VDC)	Lamp Iv (mcd)		
					TYP	TYP		
356-308-04	308	610	AMBER	WHITE DIFFUSED	2.0	45	120	PINS
356-308-04-40								12IN FLYING LEADS
356-320-04	320	470	BLUE	WHITE DIFFUSED	4.0	90	120	PINS
356-320-04-40								12IN FLYING LEADS
356-314-04	314	568	GREEN	WHITE DIFFUSED	2.1	14	120	PINS
356-314-04-40								12IN FLYING LEADS
356-305-04	305	645	RED	WHITE DIFFUSED	1.7	18	120	PINS
356-305-04-40								12IN FLYING LEADS
356-311-04	311	585	YELLOW	WHITE DIFFUSED	2.1	14	120	PINS
356-311-04-40								12IN FLYING LEADS

Marl Part No.	LED Part Number	Colour Temperature	Emitted Colour	Lens Appearance	Electro-Optical Data @ 20mA		Viewing Angle	Termination
					Typ Vf (VDC)	Lamp Iv (mcd)		
					TYP	TYP		
356-998-04	998	5000K	NEUTRAL WHITE	WHITE DIFFUSED	3.2	1125	120	PINS
356-998-04-40								12IN FLYING LEADS

ABSOLUTE MAXIMUM RATINGS (Ta = 25°C)

MAXIMUM REVERSE VOLTAGE _____ 5V
 MAXIMUM POWER DISSIPATION _____ 150 mW
 OPERATING TEMPERATURE RANGE _____ -30°C ~ 85°C
 STORAGE TEMPERATURE _____ -40°C ~ 85°C

STANDARD TOLERANCE (UNLESS OTHERWISE SPECIFIED)		 MARL BUSINESS PARK, ULVERSTON, UK. LA12 9BN Tel: +44 (0)1229 582 430. Web: www.leds.co.uk
DECIMALS .X ± .1 .XX ± .02 .XXX ± .010	ANGULAR X° ± 1°	
		TITLE: Quick-Mount Panel Mount Indicator
Issue 3		PART NO: 356 Series
		SHEET # 3 OF 3
<small>CAD GENERATED DOCUMENT, DO NOT MEASURE DRAWING.</small>		