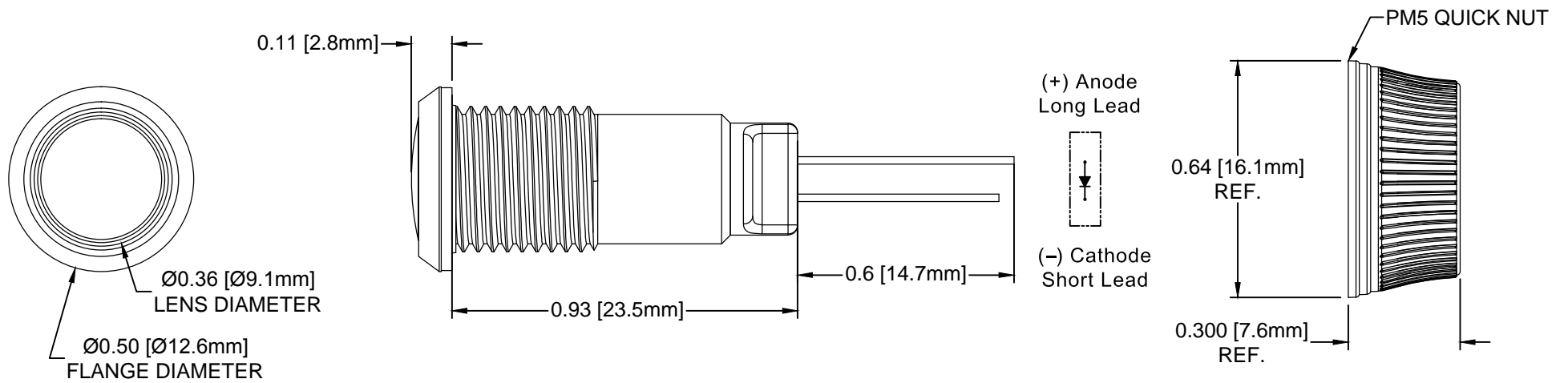
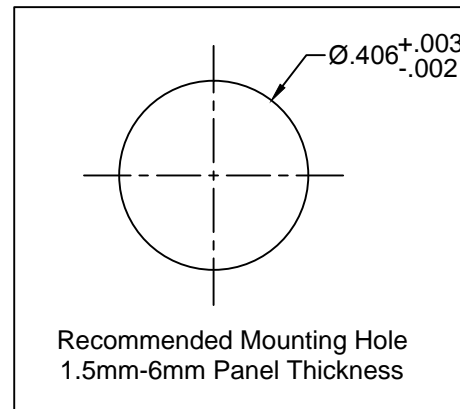
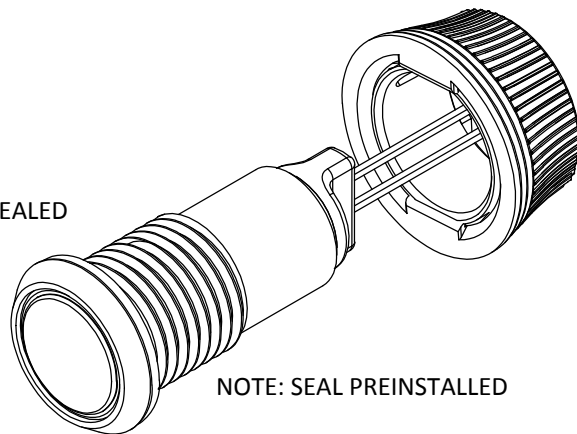


357 Series



NOTE: QUICK NUT
INSERT PREINSTALLED

NOTE: LENS SEALED
TO HOUSING



- NOTES:
1. ROHS COMPLIANT
 2. MOUNTING HARDWARE SHIPPED NON-ASSEMBLED

STANDARD TOLERANCE
(UNLESS OTHERWISE SPECIFIED)

	DECIMALS	ANGULAR
.X	± .1	X° ± 1°
.XX	± .02	
.XXX	± .010	



MARL

MARL BUSINESS PARK, ULVERSTON, UK. LA12 9BN
Tel: +44 (0)1229 582 430. Web: www.leds.co.uk

TITLE:
Quick-Mount Panel Mount Indicator

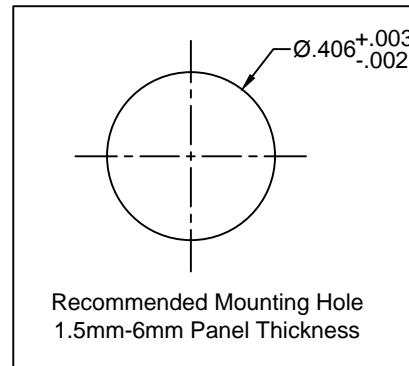
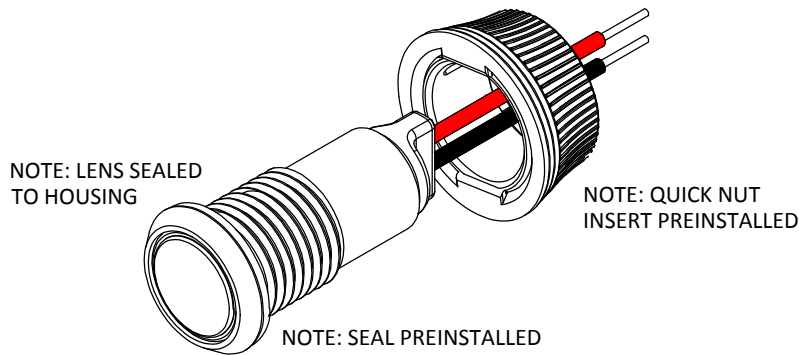
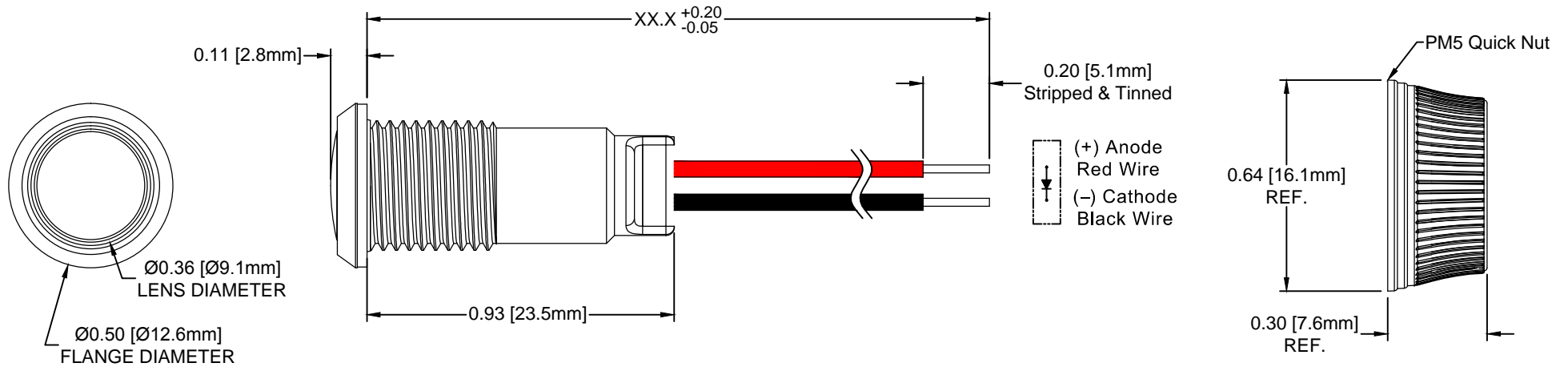
PART NO:
357 Series

SHEET # 1 OF 3

Issue 3

CAD GENERATED DOCUMENT, DO NOT MEASURE DRAWING.

357 Series (Flying Leads version)



Wire specification:
 Red - Anode
 Black - Cathode
 24AWG - UL1061

- NOTES:
1. ROHS COMPLIANT
 2. MOUNTING HARDWARE SHIPPED NON-ASSEMBLED



STANDARD TOLERANCE (UNLESS OTHERWISE SPECIFIED)		MARL	MARL BUSINESS PARK, ULVERSTON, UK. LA12 9BN Tel: +44 (0)1229 582 430. Web: www.leds.co.uk
DECIMALS	ANGULAR		
.X ± .1	X° ± 1°		
.XX ± .02		TITLE: Quick-Mount Panel Mount Indicator	
.XXX ± .010		PART NO: 357 Series	
Issue 3		SHEET # 2 OF 3	
CAD GENERATED DOCUMENT, DO NOT MEASURE DRAWING.			

Marl Part No.	LED Part Number	Peak Wave Length λ_p (nm)	Emitted Colour	Lens Appearance	Electro-Optical Data @ 20mA		Viewing Angle	Termination
					Typ Vf (VDC)	Lamp Iv (mcd)		
					TYP	TYP		
357-508-04	508	605	AMBER	WHITE DIFFUSED	2.0	9	120	PINS
357-508-04-40								12IN FLYING LEADS
357-520-04	520	430	BLUE	WHITE DIFFUSED	4.0	70	120	PINS
357-520-04-40								12IN FLYING LEADS
357-514-04	514	568	GREEN	WHITE DIFFUSED	2.1	11	120	PINS
357-514-04-40								12IN FLYING LEADS
357-505-04	505	645	RED	WHITE DIFFUSED	1.7	14	120	PINS
357-505-04-40								12IN FLYING LEADS
357-511-04	511	590	YELLOW	WHITE DIFFUSED	2.0	105	120	PINS
357-511-04-40								12IN FLYING LEADS

Marl Part No.	LED Part Number	Colour Temperature	Emitted Colour	Lens Appearance	Electro-Optical Data @ 20mA		Viewing Angle	Termination
					Typ Vf (VDC)	Lamp Iv (mcd)		
					TYP	TYP		
357-997-04	997	5000K	NEUTRAL WHITE	WHITE DIFFUSED	3.2	210	120	PINS
356-997-04-40								12IN FLYING LEADS

ABSOLUTE MAXIMUM RATINGS (Ta = 25°C)

MAXIMUM REVERSE VOLTAGE _____ 5V
 MAXIMUM POWER DISSIPATION _____ 150 mW
 OPERATING TEMPERATURE RANGE _____ -30°C ~ 85°C
 STORAGE TEMPERATURE _____ -40°C ~ 85°C

STANDARD TOLERANCE (UNLESS OTHERWISE SPECIFIED)		 MARL BUSINESS PARK, ULVERSTON, UK. LA12 9BN Tel: +44 (0)1229 582 430. Web: www.leds.co.uk
DECIMALS	ANGULAR	
.X ± .1 .XX ± .02 .XXX ± .010	X° ± 1°	
		TITLE: Quick-Mount Panel Mount Indicator
		PART NO: 357 Series
Issue 3		SHEET # 3 OF 3
		CAD GENERATED DOCUMENT, DO NOT MEASURE DRAWING.