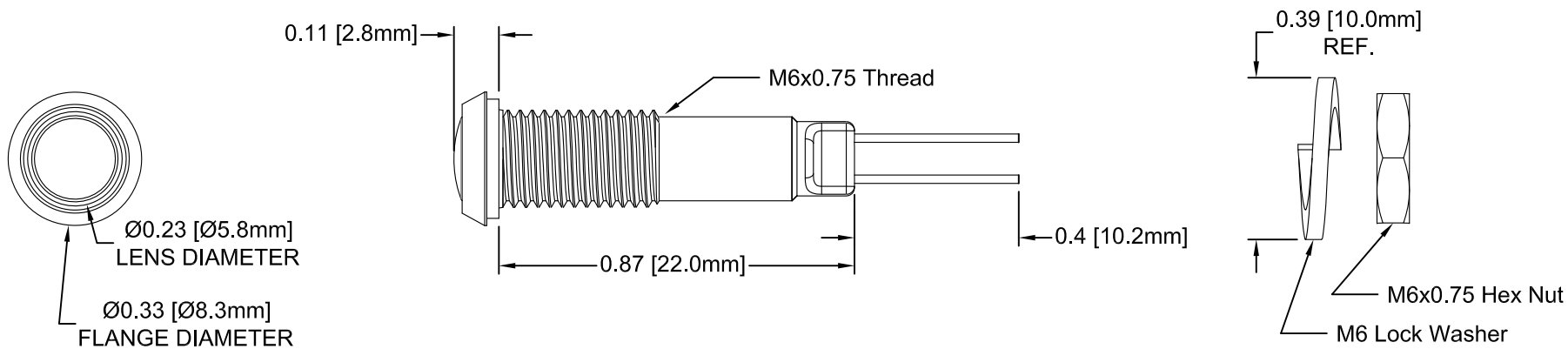
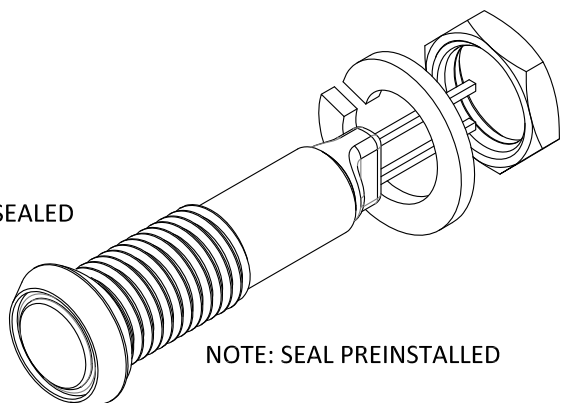


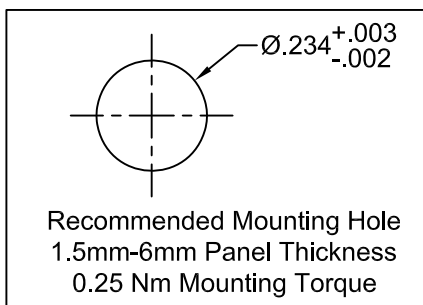
660 Series



NOTE: LENS SEALED TO HOUSING



NOTE: SEAL PREINSTALLED



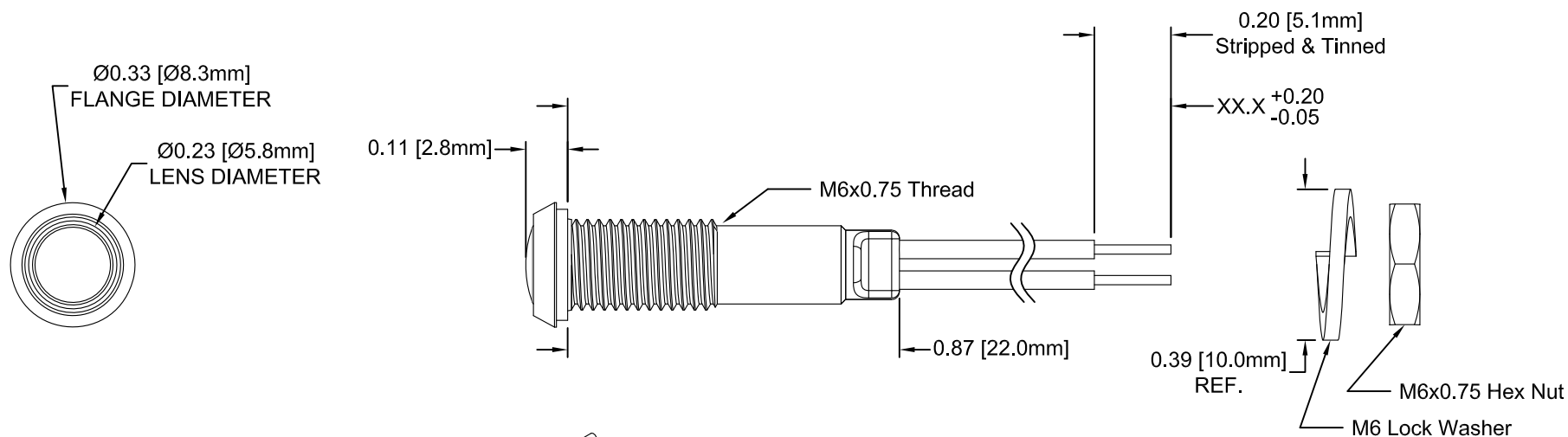
Wire specification:
Black to UL1061
24AWG

NOTES:

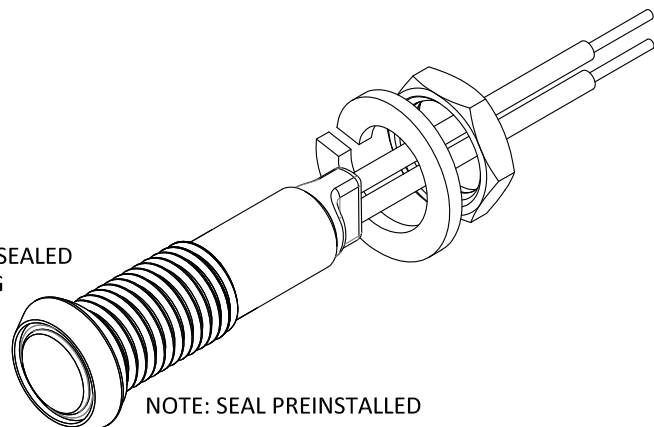
1. SEALED TO IP67 RATING
2. ROHS COMPLIANT
3. MOUNTING HARDWARE SHIPPED NON-ASSEMBLED
4. BIPOLAR OPERATION
5. WIDE RANGE VOLTAGE INPUT, SEE SHEET #2

STANDARD TOLERANCE (UNLESS OTHERWISE SPECIFIED)		MARL	MARL BUSINESS PARK, ULVERSTON, UK. LA12 9BN Tel: +44 (0)1229 582 430. Web: www.leds.co.uk
<u>DECIMALS</u>	<u>ANGULAR</u>		
.X ± .1	X° ± 1°		
.XX ± .02		TITLE: IP67 Rated Panel Mount Indicator	
.XXX ± .010		PART NO: 660 Series	
Issue 3		SHEET # 1 OF 3	
CAD GENERATED DOCUMENT, DO NOT MEASURE DRAWING.			

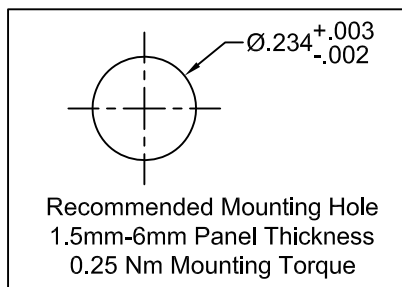
660 Series (Flying Leads version)



NOTE: LENS SEALED TO HOUSING



NOTE: SEAL PREINSTALLED



Wire specification:
Black to UL1061
24AWG

NOTES:

1. SEALED TO IP67 RATING
2. ROHS COMPLIANT
3. MOUNTING HARDWARE SHIPPED NON-ASSEMBLED
4. BIPOLAR OPERATION
5. WIDE RANGE VOLTAGE INPUT, SEE SHEET #2



STANDARD TOLERANCE (UNLESS OTHERWISE SPECIFIED)		MARL	MARL BUSINESS PARK, ULVERSTON, UK. LA12 9BN Tel: +44 (0)1229 582 430. Web: www.leds.co.uk
DECIMALS	ANGULAR		
.X ± .1	X° ± 1°		
.XX ± .02		TITLE: IP67 Rated Panel Mount Indicator	
.XXX ± .010		PART NO: 660 Series	
Issue 3		SHEET # 2 OF 3	
<small>CAD GENERATED DOCUMENT, DO NOT MEASURE DRAWING.</small>			

Marl Part No.	LED Part Number	Peak Wave Length λ_p (nm)	Emitted Colour	Lens Appearance	Electro-Optical Data @ 20mA		Viewing Angle	Termination
					Input Vf (VAC/VDC)	Lamp Iv (mcd)		
					TYP	TYP		
660-308-64	308	610	AMBER	WHITE DIFFUSED	8-48	45	120	PINS
660-308-64-40								12IN FLYING LEADS
660-320-64	320	470	BLUE	WHITE DIFFUSED	8-48	90	120	PINS
660-320-64-40								12IN FLYING LEADS
660-314-64	314	568	GREEN	WHITE DIFFUSED	8-48	14	120	PINS
660-314-64-40								12IN FLYING LEADS
660-305-64	305	645	RED	WHITE DIFFUSED	8-48	18	120	PINS
660-305-64-40								12IN FLYING LEADS
660-311-64	311	585	YELLOW	WHITE DIFFUSED	8-48	14	120	PINS
660-311-64-40								12IN FLYING LEADS

Marl Part No.	LED Part Number	Colour Temperature	Emitted Colour	Lens Appearance	Electro-Optical Data @ 20mA		Viewing Angle	Termination
					Input Vf (VAC/VDC)	Lamp Iv (mcd)		
					TYP	TYP		
660-998-64	998	5000K	NEUTRAL WHITE	WHITE DIFFUSED	8-48	1125	120	PINS
660-998-64-40								12IN FLYING LEADS

ABSOLUTE MAXIMUM RATINGS (Ta = 25°C)

MAXIMUM POWER DISSIPATION _____ 400 mW
 OPERATING TEMPERATURE RANGE _____ -30°C ~ 85°C
 STORAGE TEMPERATURE _____ -40°C ~ 85°C

STANDARD TOLERANCE (UNLESS OTHERWISE SPECIFIED)		 MARL BUSINESS PARK, ULVERSTON, UK. LA12 9BN Tel: +44 (0)1229 582 430. Web: www.leds.co.uk
DECIMALS	ANGULAR	
.X ± .1 .XX ± .02 .XXX ± .010	X° ± 1°	
		TITLE: IP67 Rated Panel Mount Indicator
		PART NO: 660 Series
Issue 3		SHEET # 3 OF 3
		CAD GENERATED DOCUMENT, DO NOT MEASURE DRAWING.