

WINSTA® MINI

Technical Data, 2- to 5-Pole

890 / 891 Series



Connection Data

Connection technology	Push-in CAGE CLAMP®
Solid conductor	0.25 ... 1.5 mm ² / 22 ... 16 AWG
Solid conductor, push-in termination	0.75 ... 1.5 mm ² / 20 ... 16 AWG
Stranded conductor	0.25 ... 1 mm ² / 22 ... 18 AWG
Fine-stranded conductor	0.25 ... 1.5 mm ² / 22 ... 16 AWG
Fine-stranded conductor with uninsulated ferrule	0.25 ... 0.75 mm ² / 22 ... 20 AWG
Fine-stranded conductor with insulated ferrule	0.25 ... 0.75 mm ² / 22 ... 20 AWG
Strip length	9 mm / 0.35 inch (see also packaging or instructions)

Electrical Data


Ratings per*	IEC/EN 60664-1
Rated voltage (III / 3)	
2-pole	250 V
3-pole	250 V
4-pole	400 V (250 V for PCB terminal blocks)
5-pole	400 V (250 V for PCB terminal blocks)
Rated surge voltage (III / 3)	
2-pole	4 kV
3-pole	4 kV
4-pole	6 kV (4 kV for PCB terminal blocks)
5-pole	6 kV (4 kV for PCB terminal blocks)
Rated current	
2-pole	16 A
3-pole	16 A
4-pole	16 A
5-pole	13 A for standard applications 16 A for DALI applications
Approvals per	UL 1977 (factory wiring only)
Rated voltage (UL)	600 V
Rated current (UL)	
2-pole / 3-pole	14 A
4-pole / 5-pole	12 A


Application note for the U.S. market (USR):
Some versions may also be used for current interruption in accordance with the UL certificate in select applications with currents below 5 A and voltages up to 600 V.
For further information, please contact your local sales office.

Clearances and creepage distances	≥ 5.5 mm with strain relief ≥ 6.5 mm to exposed surfaces (Protection Category II)
Contact resistance	approx. 1 mΩ contact resistance approx. 0.25 mΩ contact transition socket / plug
Number of potentials	
2-pole	2
3-pole	3
4-pole	4
5-pole	5
Number of connection points	
2-pole	2
3-pole	3
4-pole	4
5-pole	5

*(III / 3) Δ Overvoltage category III /
Pollution degree 3

 890/891 Series Accessories,
see page 352

 Approvals,
see www.wago.com

 Codings,
see page 372

Mechanical Data

Mating cycles	200, without resistive load 100, with resistive load $I_N = 16$ A (1.5 mm ²)
Mating forces	20 ... 70 N (depending on pole number)
Unmating forces	20 ... 70 N (depending on pole number) when unlocked
Retention forces	> 80 N (locked)

Mechanical Data (Continued)

Cable diameter	
2-pole	0.5 ... 0.9 mm
3-pole	4.5 ... 10 mm
4-pole	6.5 ... 10.5 mm Ø
5-pole	6.5 ... 10.5 mm Ø
Protection type	IP2xC (with strain relief housing) Note: These compact connectors are not designed for use in open, easily accessible areas.
Processing temperature	-5 ... +40 °C
Continuous operating temperature	-35 ... ≤ +85 °C PVC cable ≤ +70 °C (incl. halogen-free) Insulating parts ≤ +105 °C
Ground contact	First make/last break

Mismatching Protection

All WINSTA® components are 100 % protected against mismatching in terms of:

- Plugging a different number of poles
- Plugging when rotated by 180°
- Plugging when laterally staggered
- Plugging one pole

Locking Levers

All connectors for mounted installations (snap-in versions for lighting fixtures or devices, all types of PCB and distribution connectors) are factory-equipped with locking levers to ensure plugs and sockets are securely locked. Additional locking levers are only required for "flying leads" (plug/socket).

Material Data

Insulating parts	Polyamide (PA 66), halogen-free
Contacts	Copper or copper alloy, surface-treated
Clamping spring	Stainless steel (Cr-Ni)
Flammability class (per UL 94)	V0

Standards/Approvals

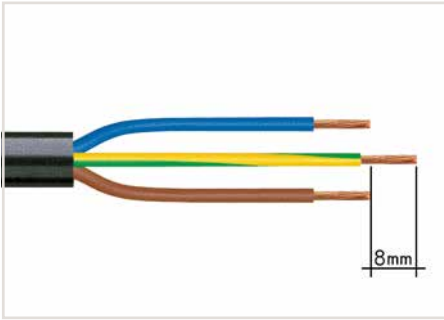
- UL (Depending on end-product standard, it may be necessary to use UL-approved cables with an appropriate AWG. These cables are available upon request.)
- CCA certificate
- IEC 61535
- LR
- GL
- DNV

WINSTA® MINI

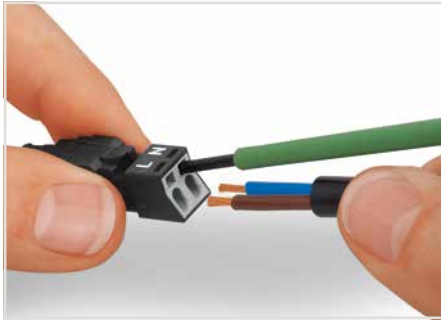
Installation

890 / 891 Series

1



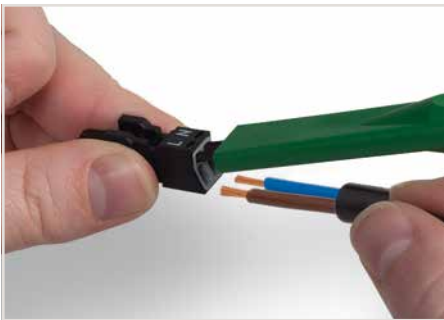
1. Strip length, outer insulation = x mm ❶
2. Strip length = 9 mm
3. Extended ground conductor = 8 mm



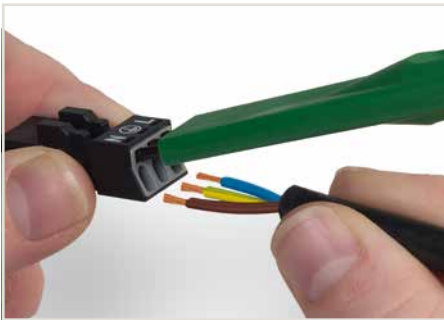
To terminate fine-stranded conductors, open the clamping unit via screwdriver (2.5 mm blade width) and insert a stripped conductor until it hits backstop. Terminate solid conductors by simply pushing them in.



Latch wired connector onto the base of the strain relief housing.



To terminate fine-stranded conductors, open clamping units via operating tool (890-382) and insert stripped conductors until they hit backstop. Terminate solid conductors by simply pushing them in.



To terminate fine-stranded conductors, open clamping units via operating tool (890-383) and insert stripped conductors until they hit backstop. Terminate solid conductors by simply pushing them in.



Connector with shield termination



Apply the shield to the rubber cable.
Strip length, outer insulation = 30 mm
Shield length = 8 mm



Push the shield connecting plate into the connector until fully inserted.

❶ Strip length, outer insulation: 2-pole = 30 mm, 3-pole = 37 mm, 4- and 5-pole = 45 mm



Push down strain relief clamp by hand.



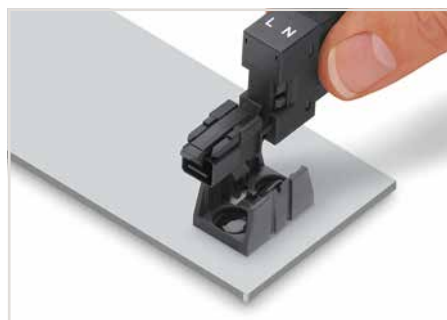
Push down strain relief clamp via 2.5 mm screwdriver alternately on both sides.



Latch the top of the strain relief housing.



Secure the mounting plate via pins.



The distribution connectors snap together when attached to the mounting plate.



First insert the wired connector into strain relief housing, then snap clamp and cover.



All connectors for mounted installations (snap-in versions, pluggable PCB connectors, distribution connectors) are factory-equipped with locking levers to ensure plugs and sockets are securely locked. Additional locking levers are only required for "flying leads" (plug/socket).



The printed marking of the connector is clearly visible in the openings of the strain relief housing.

WINSTA® MINI

Sockets and Plugs, 2-Pole

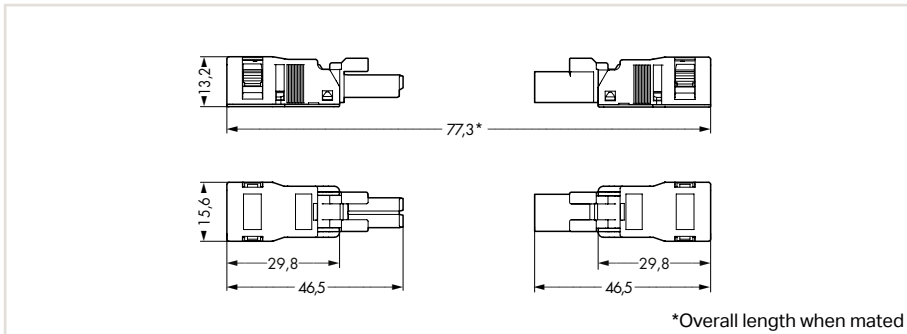
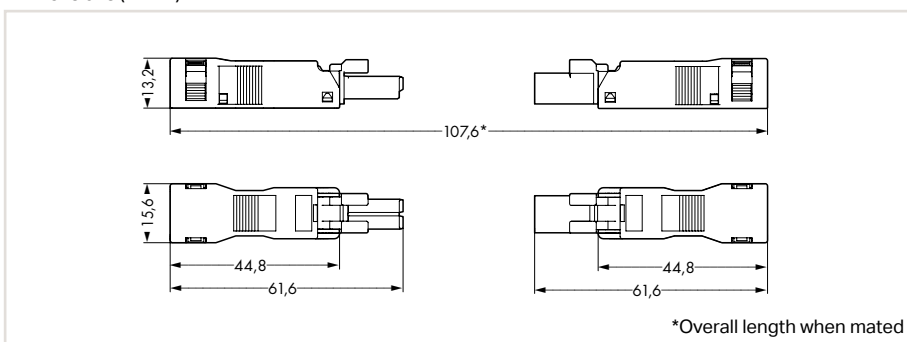
890 Series

1

Conductor range, solid and fine-stranded	0.25 ... 1.5 mm ² / 22 ... 16 AWG
Conductor range, stranded	0.25 ... 1 mm ² / 22 ... 18 AWG
Rated voltage	250 V
Rated current	16 A
Strip length	9 mm / 0.35 inch



Dimensions (in mm):



Socket, with strain relief housing, for 3.8 ... 8.2 mm cable diameter, 30 mm strip length

Color	Item No.	Pack. Unit
● black	890-102	50
○ white	890-122	50

Plug, with strain relief housing, for 3.8 ... 8.2 mm cable diameter, 30 mm strip length

Color	Item No.	Pack. Unit
● black	890-112	50
○ white	890-132	50

Socket, with short strain relief housing, for 3.8 ... 8.2 mm cable diameter, 17.5 mm strip length

Color	Item No.	Pack. Unit
● black	890-202/342-000	50

Plug, with short strain relief housing, for 3.8 ... 8.2 mm cable diameter, 17.5 mm strip length

Color	Item No.	Pack. Unit
● black	890-212/342-000	50

Note:
All connectors for fixed installations (snap-in versions for lighting fixtures or devices, all types of PCB and distribution connectors) are factory-equipped with locking levers to ensure plugs and sockets are securely locked. Additional locking levers are only required for "flying leads" (plug/socket).

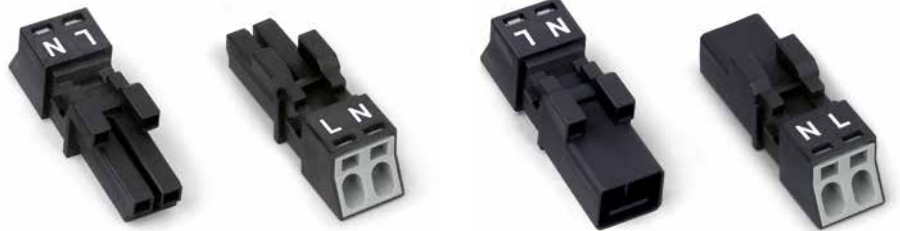
890 Series Accessories, see page 352

Approvals, see www.wago.com

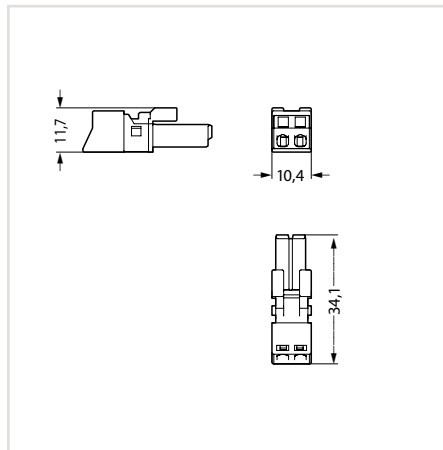
Coding overview, see page 372

Coding	Marking	Color
A	L N	● black
A	L N	○ white

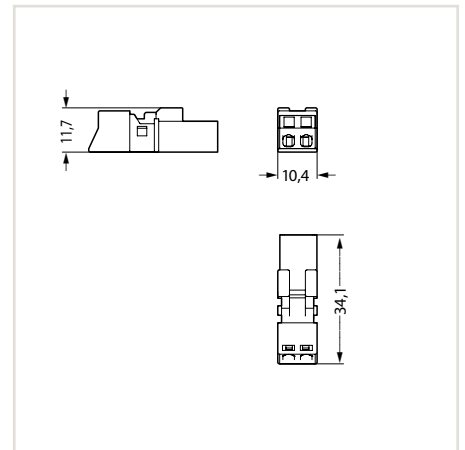
Conductor range, solid and fine-stranded	0.25 ... 1.5 mm ² / 22 ... 16 AWG
Conductor range, stranded	0.25 ... 1 mm ² / 22 ... 18 AWG
Rated voltage	250 V
Rated current	16 A
Strip length	9 mm / 0.35 inch



Dimensions (in mm):



Dimensions (in mm):


**Socket,
without strain relief housing**

Color	Item No.	Pack. Unit
● black	890-202	50
○ white	890-222	50
● blue	890-1102	50

**Plug,
without strain relief housing**

Color	Item No.	Pack. Unit
● black	890-212	50
○ white	890-232	50
● blue	890-1112	50

Coding	Marking	Color
A	L N	● black
A	L N	○ white
I	+ -	● blue

WINSTA® MINI

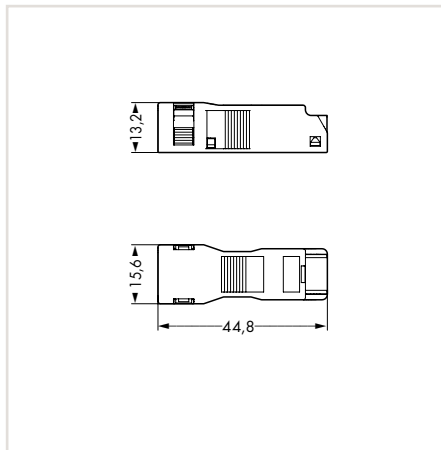
Strain Relief Housings, 2-Pole

890 Series

1



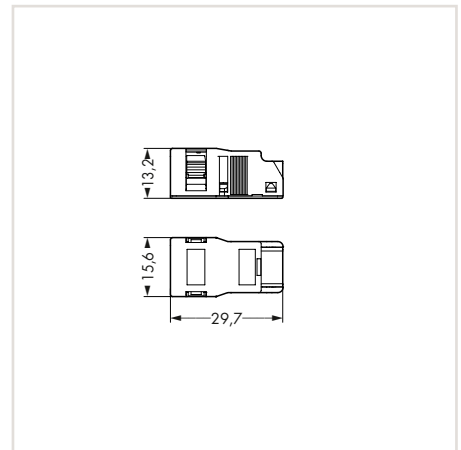
Dimensions (in mm):



Strain relief housing,
for 3.8 ... 8.2 mm cable diameter,
30 mm strip length

Color	Item No.	Pack. Unit
black	890-502	50
white	890-512	50

Dimensions (in mm):





Strain relief housing, short,
for 3.8 ... 8.2 mm cable diameter,
17.5 mm strip length


Color	Item No.	Pack. Unit
black	890-502/342-000	50
white	890-512/342-000	50

Note:

All connectors for fixed installations (snap-in versions for lighting fixtures or devices, all types of PCB and distribution connectors) are factory-equipped with locking levers to ensure plugs and sockets are securely locked. Additional locking levers are only required for "flying leads" (plug/socket).

 890 Series Accessories,
see page 352

 Approvals,
see www.wago.com

 Coding overview,
see page 372

WINSTA® MINI

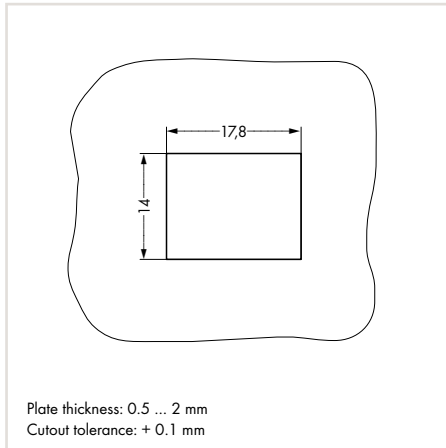
Snap-In Sockets and Plugs, 2-Pole

890 Series

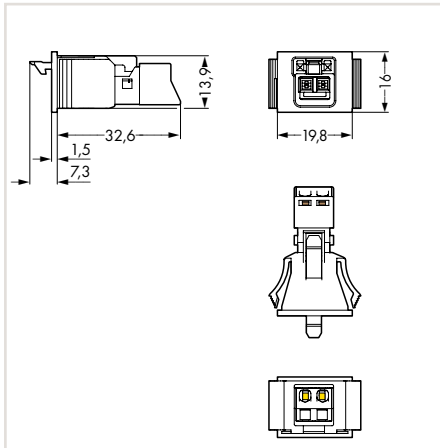
Conductor range, solid and fine-stranded	0.25 ... 1.5 mm ² / 22 ... 16 AWG
Conductor range, stranded	0.25 ... 1 mm ² / 22 ... 18 AWG
Rated voltage	250 V
Rated current	16 A
Strip length	9 mm / 0.35 inch



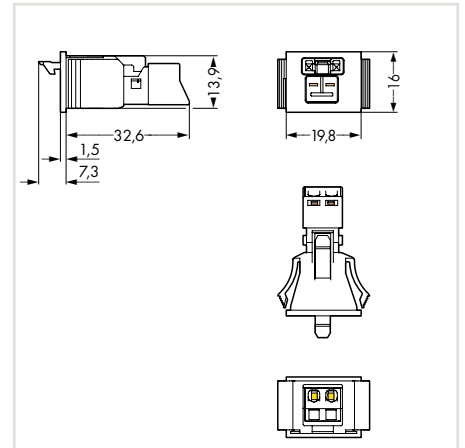
Dimensions (in mm):



Dimensions (in mm):



Dimensions (in mm):

**Socket**

Color	Item No.	Pack. Unit
● black	890-702	50
○ white	890-722	50
● blue	890-2102	50

Plugs

Color	Item No.	Pack. Unit
● black	890-712	50
○ white	890-732	50
● blue	890-2112	50

Coding

A
A
I

Marking

L N
L N
+ -

Color

● black
○ white
● blue

WINSTA® MINI

Pluggable PCB Connectors, 2-Pole

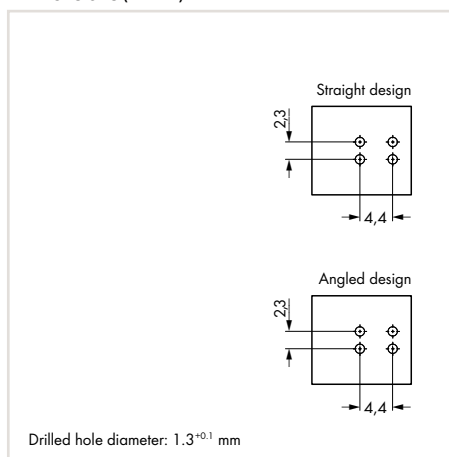
890 Series

1

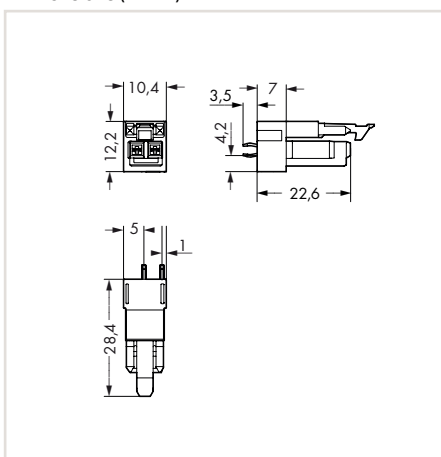
Rated voltage	250 V
Rated current	16 A



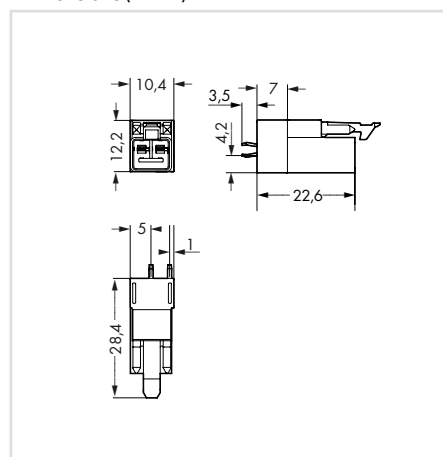
Dimensions (in mm):



Dimensions (in mm):



Dimensions (in mm):



Socket, straight		
Color	Item No.	Pack. Unit
● black	890-802	100
○ white	890-822	100
● blue	890-3102	100

Plug, straight		
Color	Item No.	Pack. Unit
● black	890-812	100
○ white	890-832	100
● blue	890-3112	100

Note:

All connectors for fixed installations (snap-in versions for lighting fixtures or devices, all types of PCB and distribution connectors) are factory-equipped with locking levers to ensure plugs and sockets are securely locked. Additional locking levers are only required for "flying leads" (plug/socket).

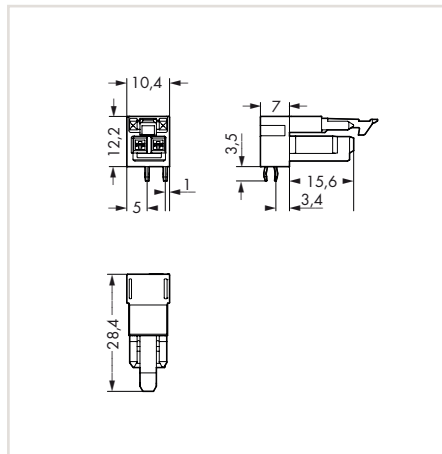
- 890 Series Accessories, see page 352
- Approvals, see www.wago.com
- Coding overview, see page 372

Coding	Marking	Color
A	L N	● black
A	L N	○ white
I	+ -	● blue

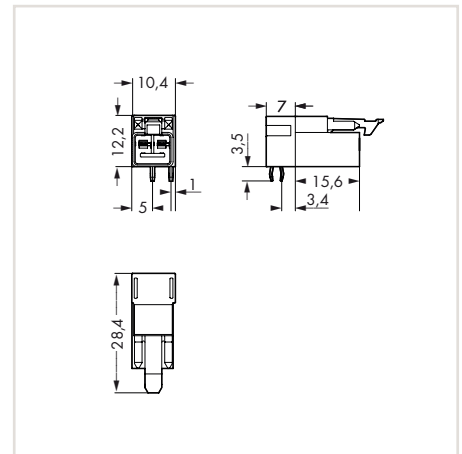
Rated voltage	250 V
Rated current	16 A



Dimensions (in mm):



Dimensions (in mm):



Socket, angled		
Color	Item No.	Pack. Unit
● black	890-802/011-000	100
○ white	890-822/011-000	100
● blue	890-3102/011-000	100

Plug, angled		
Color	Item No.	Pack. Unit
● black	890-812/011-000	100
○ white	890-832/011-000	100
● blue	890-3112/011-000	100

Coding	Marking	Color
A	L N	● black
A	L N	○ white
I	+ -	● blue

WINSTA® MINI

Distribution Connectors, 2-Pole

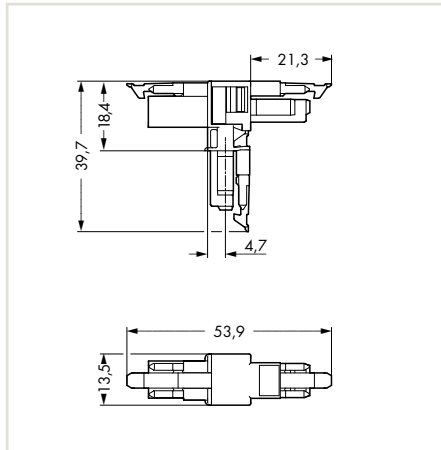
890 Series

1

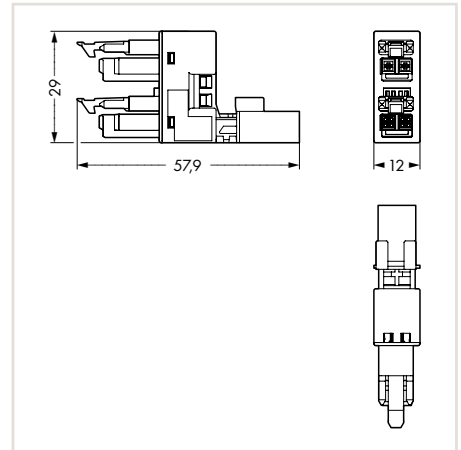
Rated voltage	250 V
Rated current	16 A



Dimensions (in mm):



Dimensions (in mm):



T-distribution connector,
1 x plug/2 x socket

Color	Item No.	Pack. Unit
● black	890-1606	25
○ white	890-1656	25
● blue	890-1617	25

h-distribution connector, unidirectional,
plug/socket – socket

Color	Item No.	Pack. Unit
● black	890-1634	50
○ white	890-1684	50

T-distribution connector,
1 x plug/2 x socket,
for "flying leads,"
with 3rd locking lever

Color	Item No.	Pack. Unit
● black	890-1615	25
○ white	890-1665	25
● blue	890-1620	25

h-distribution connector, unidirectional,
plug/socket – socket,
for "flying leads,"
with 3rd locking lever

Color	Item No.	Pack. Unit
● black	890-1636	50
○ white	890-1686	50

890 Series Accessories,
see page 352

Approvals,
see www.wago.com

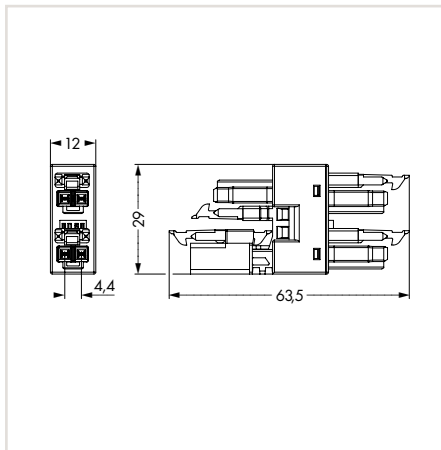
Coding overview,
see page 372

Coding	Marking	Color
A	L N	● black
A	L N	○ white
I	+ -	● blue

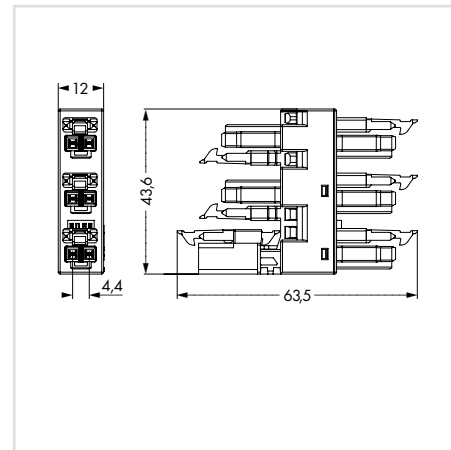
Rated voltage	250 V
Rated current	16 A



Dimensions (in mm):



Dimensions (in mm):



Distribution connector, 3-way, 1 x plug/3 x socket		
Color	Item No.	Pack. Unit
● blue	890-1904	50

Distribution connector, 5-way, 1 x plug/5 x socket		
Color	Item No.	Pack. Unit
● blue	890-1907	50

Coding	Marking	Color
I	+ -	● blue

WINSTA® MINI

Sockets and Plugs, 3-Pole

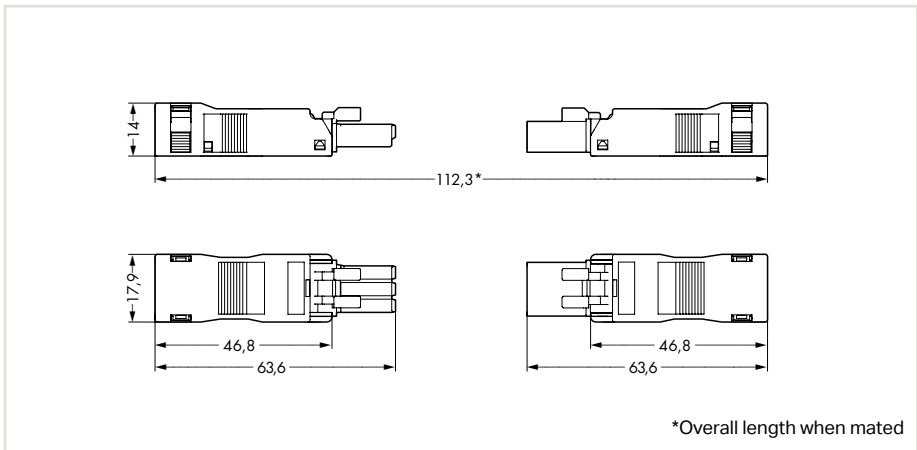
890 Series

1

Conductor range, solid and fine-stranded	0.25 ... 1.5 mm ² / 22 ... 16 AWG
Conductor range, stranded	0.25 ... 1 mm ² / 22 ... 18 AWG
Rated voltage	250 V
Rated current	16 A
Strip length	9 mm / 0.35 inch



Dimensions (in mm):



Socket, with strain relief housing, for 4.5 ... 10 mm cable diameter, 37 mm strip length

Color	Item No.	Pack. Unit
● black	890-103	50
○ white	890-123	50

Plug, with strain relief housing, for 4.5 ... 10 mm cable diameter, 37 mm strip length

Color	Item No.	Pack. Unit
● black	890-113	50
○ white	890-133	50

Note:

All connectors for fixed installations (snap-in versions for lighting fixtures or devices, all types of PCB and distribution connectors) are factory-equipped with locking levers to ensure plugs and sockets are securely locked. Additional locking levers are only required for "flying leads" (plug/socket).

890 Series Accessories, see page 352

Approvals, see www.wago.com

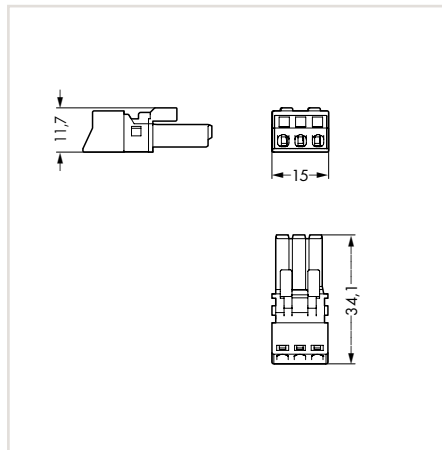
Coding overview, see page 372

Coding	Marking	Color
A	L ⊕ N	● black
A	L ⊕ N	○ white

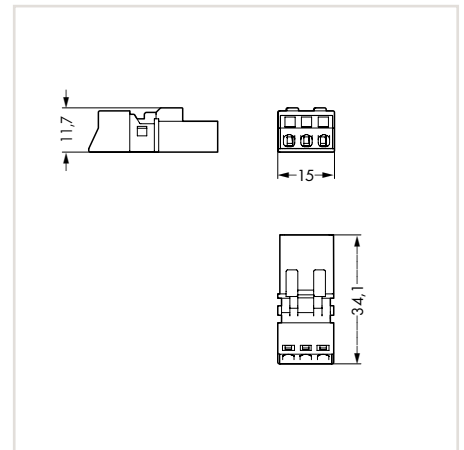
Conductor range, solid and fine-stranded	0.25 ... 1.5 mm ² / 22 ... 16 AWG
Conductor range, stranded	0.25 ... 1 mm ² / 22 ... 18 AWG
Rated voltage	250 V
Rated current	16 A
Strip length	9 mm / 0.35 inch



Dimensions (in mm):



Dimensions (in mm):



**Socket,
without strain relief housing**

Color	Item No.	Pack. Unit
● black	890-203	50
○ white	890-223	50

**Plug,
without strain relief housing**

Color	Item No.	Pack. Unit
● black	890-213	50
○ white	890-233	50

Coding	Marking	Color
A	L ⊕ N	● black
A	L ⊕ N	○ white

WINSTA® MINI

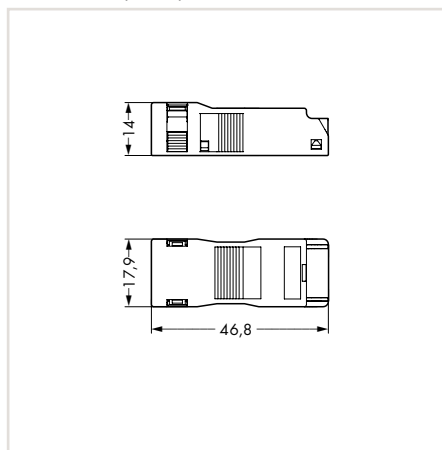
Strain Relief Housings, 3-Pole

890 Series

1



Dimensions (in mm):





Strain relief housing,
for 4.5 ... 10 mm cable diameter,
37 mm strip length


Color	Item No.	Pack. Unit
black	890-503	50
white	890-513	50

Note:

All connectors for fixed installations (snap-in versions for lighting fixtures or devices, all types of PCB and distribution connectors) are factory-equipped with locking levers to ensure plugs and sockets are securely locked. Additional locking levers are only required for "flying leads" (plug/socket).

 890 Series Accessories,
see page 352

 Approvals,
see www.wago.com

 Coding overview,
see page 372

WINSTA® MINI

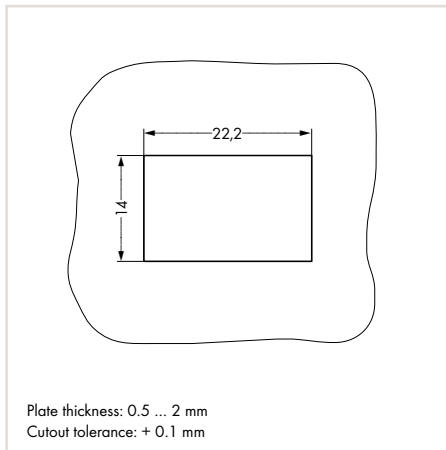
Snap-In Sockets and Plugs, 3-Pole

890 Series

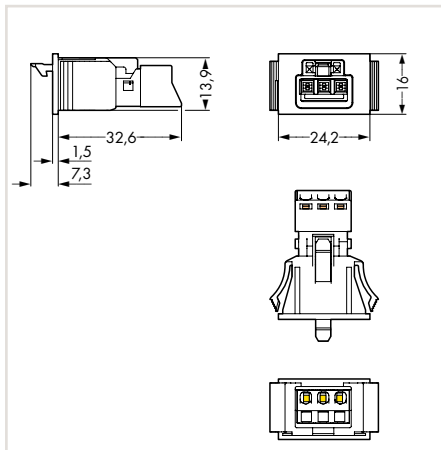
Conductor range, solid and fine-stranded	0.25 ... 1.5 mm ² / 22 ... 16 AWG
Conductor range, stranded	0.25 ... 1 mm ² / 22 ... 18 AWG
Rated voltage	250 V
Rated current	16 A
Strip length	9 mm / 0.35 inch



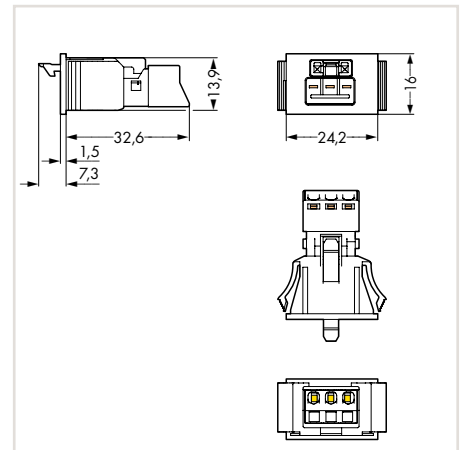
Dimensions (in mm):



Dimensions (in mm):



Dimensions (in mm):



Socket		
Color	Item No.	Pack. Unit
● black	890-703	50
○ white	890-723	50

Plugs		
Color	Item No.	Pack. Unit
● black	890-713	50
○ white	890-733	50

Socket, without locking lever, for lighting installation with intermediate coupler		
Color	Item No.	Pack. Unit
● black	890-703/006-000	50
○ white	890-723/006-000	50

Plug, without locking lever, for lighting installation with intermediate coupler		
Color	Item No.	Pack. Unit
● black	890-713/006-000	50
○ white	890-733/006-000	50

Coding	Marking	Color
A	L ⊕ N	● black
A	L ⊕ N	○ white

WINSTA® MINI

Pluggable PCB Connectors, 3-Pole

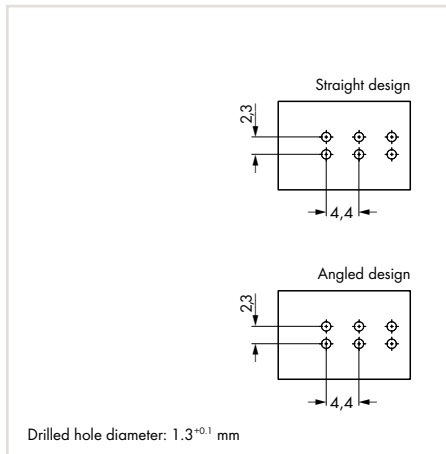
890 Series

1

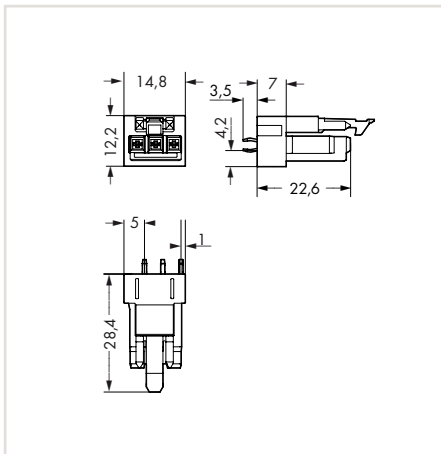
Rated voltage	250 V
Rated current	16 A



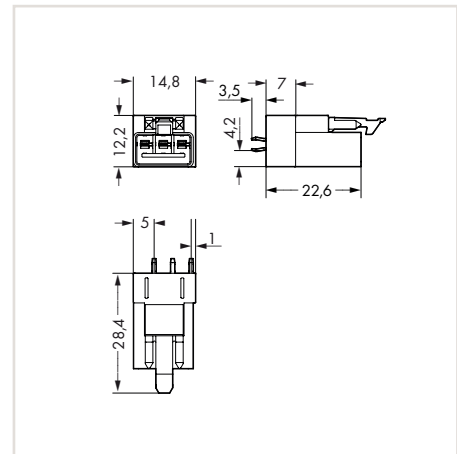
Dimensions (in mm):



Dimensions (in mm):



Dimensions (in mm):



Socket, straight		
Color	Item No.	Pack. Unit
● black	890-803	100
○ white	890-823	100

Plug, straight		
Color	Item No.	Pack. Unit
● black	890-813	100
○ white	890-833	100

Note:

All connectors for fixed installations (snap-in versions for lighting fixtures or devices, all types of PCB and distribution connectors) are factory-equipped with locking levers to ensure plugs and sockets are securely locked. Additional locking levers are only required for "flying leads" (plug/socket).

890 Series Accessories, see page 352

Approvals, see www.wago.com

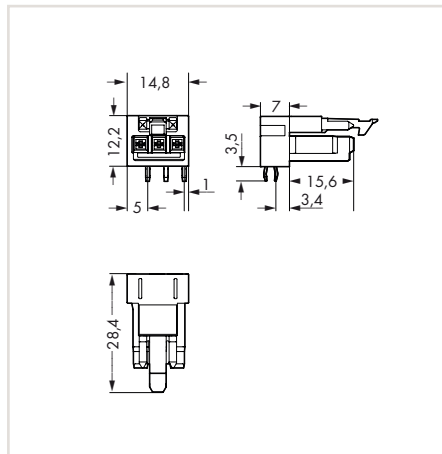
Coding overview, see page 372

Coding	Marking	Color
A	L ⊕ N	● black
A	L ⊕ N	○ white

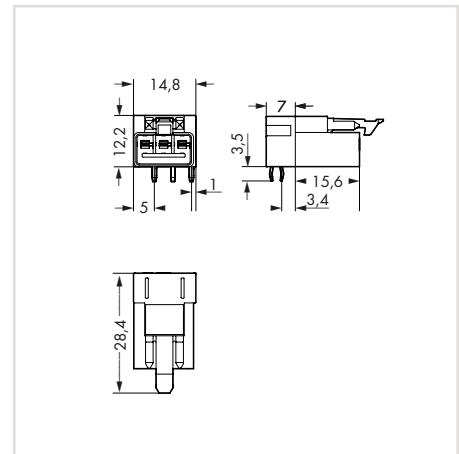
Rated voltage	250 V
Rated current	16 A



Dimensions (in mm):



Dimensions (in mm):



Socket, angled		
Color	Item No.	Pack. Unit
● black	890-803/011-000	100
○ white	890-823/011-000	100

Plug, angled		
Color	Item No.	Pack. Unit
● black	890-813/011-000	100
○ white	890-833/011-000	100

Coding	Marking	Color
A	L ⊕ N	● black
A	L ⊕ N	○ white

WINSTA® MINI

Intermediate Couplers, 3-Pole

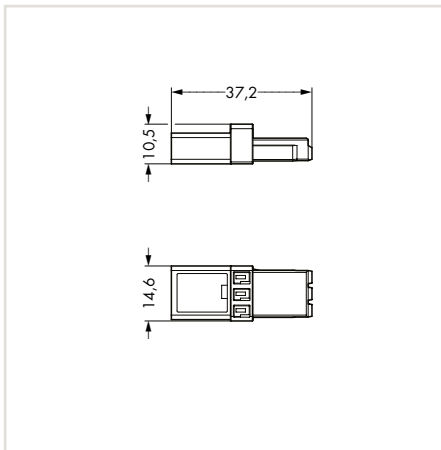
890 Series

1

Rated voltage	250 V
Rated current	16 A



Dimensions (in mm):



Intermediate coupler , 1 x plug/1 x socket		
Color	Item No.	Pack. Unit
● black	890-603	50
○ white	890-653	50

Note
At least one snap-in connector **without** a locking lever is required on one side when connecting two lights directly via intermediate coupler (see page 29).

890 Series Accessories, see page 352

Approvals, see www.wago.com

Coding overview, see page 372

Coding	Marking	Color
A	-	● black
A	-	○ white

WINSTA® MINI

Distribution Connectors, 3-Pole

890 Series

Rated voltage

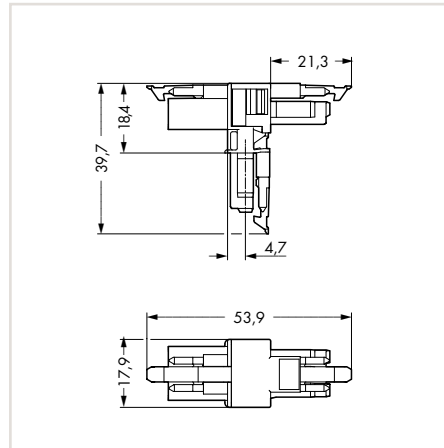
250 V

Rated current

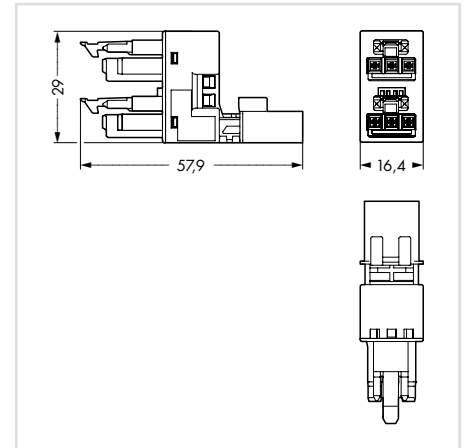
16 A



Dimensions (in mm):



Dimensions (in mm):



T-distribution connector,
1 x plug/2 x socket

Color	Item No.	Pack. Unit
● black	890-606	25
○ white	890-656	25

h-distribution connector, unidirectional,
plug/socket – socket

Color	Item No.	Pack. Unit
● black	890-634	50
○ white	890-684	50

T-distribution connector,
1 x plug/2 x socket,
for "flying leads,"
with 3rd locking lever

Color	Item No.	Pack. Unit
● black	890-615	25
○ white	890-665	25

h-distribution connector, unidirectional,
plug/socket – socket,
for "flying leads,"
with 3rd locking lever

Color	Item No.	Pack. Unit
● black	890-636	50
○ white	890-686	50

Coding

A

A

Marking

L ⊕ N

L ⊕ N

Color

● black

○ white

WINSTA® MINI

Sockets and Plugs, 4-Pole

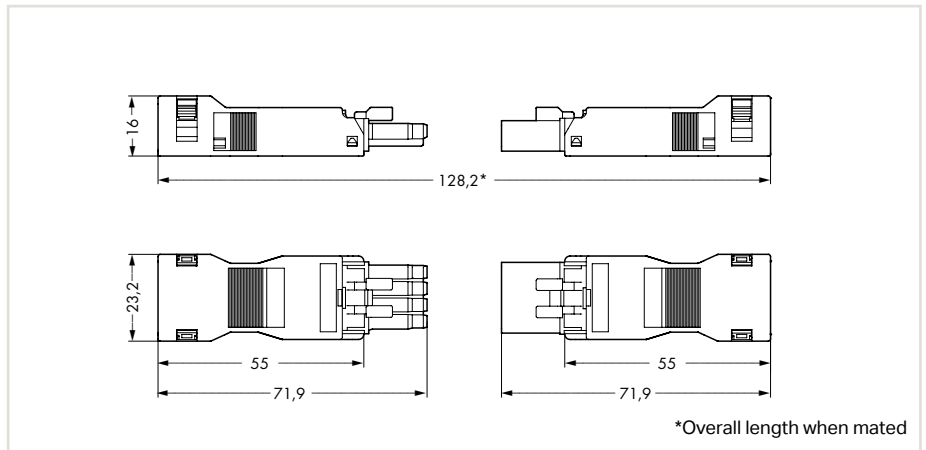
890 Series

1

Conductor range, solid and fine-stranded	0.25 ... 1.5 mm ² / 22 ... 16 AWG
Conductor range, stranded	0.25 ... 1 mm ² / 22 ... 18 AWG
Rated voltage	400 V
Rated current	16 A
Strip length	9 mm / 0.35 inch



Dimensions (in mm):



Socket, with strain relief housing, for 6.5 ... 10.5 mm cable diameter, 45 mm strip length		
Color	Item No.	Pack. Unit
● black	890-104	50
○ white	890-124	50

Plug, with strain relief housing, for 6.5 ... 10.5 mm cable diameter, 45 mm strip length		
Color	Item No.	Pack. Unit
● black	890-114	50
○ white	890-134	50

Note:

All connectors for fixed installations (snap-in versions for lighting fixtures or devices, all types of PCB and distribution connectors) are factory-equipped with locking levers to ensure plugs and sockets are securely locked. Additional locking levers are only required for "flying leads" (plug/socket).

890 Series Accessories, see page 352

Approvals, see www.wago.com

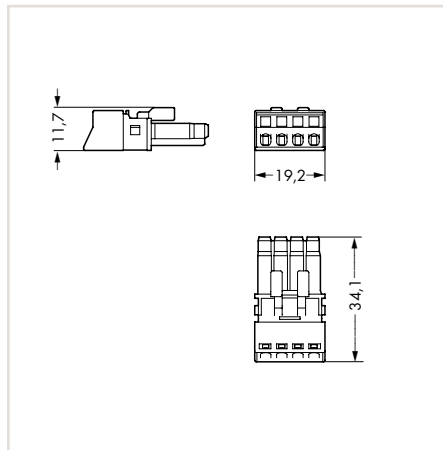
Coding overview, see page 372

Coding	Marking	Color
A	N Ⓞ 2L 1L	● black
A	N Ⓞ 2L 1L	○ white

Conductor range, solid and fine-stranded	0.25 ... 1.5 mm ² / 22 ... 16 AWG
Conductor range, stranded	0.25 ... 1 mm ² / 22 ... 18 AWG
Rated voltage	400 V
Rated current	16 A
Strip length	9 mm / 0.35 inch

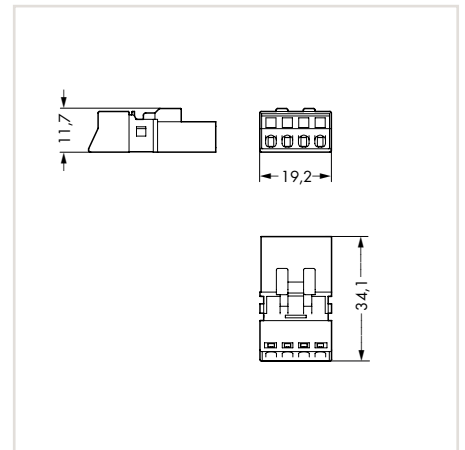


Dimensions (in mm):

Socket,
without strain relief housing

Color	Item No.	Pack. Unit
● black	890-204	50
○ white	890-224	50

Dimensions (in mm):

Plug,
without strain relief housing

Color	Item No.	Pack. Unit
● black	890-214	50
○ white	890-234	50

Coding	Marking	Color
A	N Ⓢ 2L 1L	● black
A	N Ⓢ 2L 1L	○ white

WINSTA® MINI

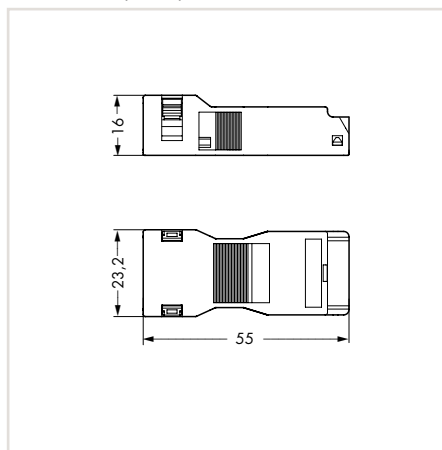
Strain Relief Housings, 4-Pole

890 Series

1



Dimensions (in mm):





Strain relief housing,
for 6.5 ... 10.5 mm cable diameter,
45 mm strip length


Color	Item No.	Pack. Unit
black	890-504	50
white	890-514	50

Note:

All connectors for fixed installations (snap-in versions for lighting fixtures or devices, all types of PCB and distribution connectors) are factory-equipped with locking levers to ensure plugs and sockets are securely locked. Additional locking levers are only required for "flying leads" (plug/socket).

 890 Series Accessories,
see page 352

 Approvals,
see www.wago.com

 Coding overview,
see page 372

WINSTA® MINI

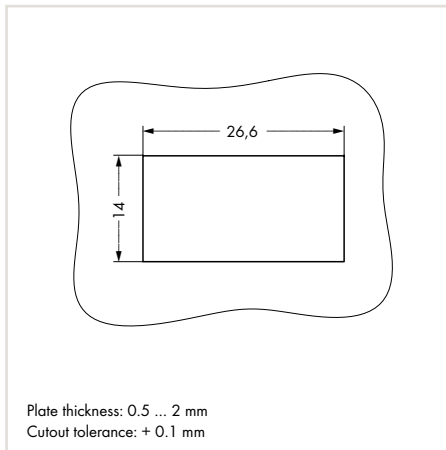
Snap-In Sockets and Plugs, 4-Pole

890 Series

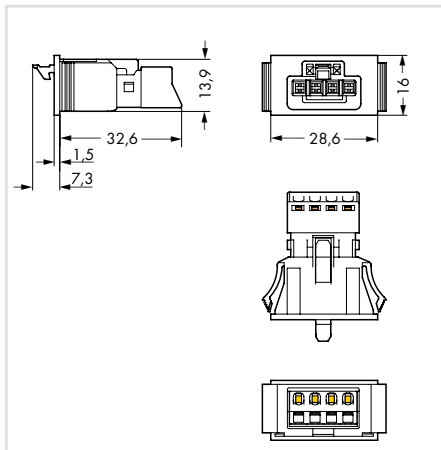
Conductor range, solid and fine-stranded	0.25 ... 1.5 mm ² / 22 ... 16 AWG
Conductor range, stranded	0.25 ... 1 mm ² / 22 ... 18 AWG
Rated voltage	400 V
Rated current	16 A
Strip length	9 mm / 0.35 inch



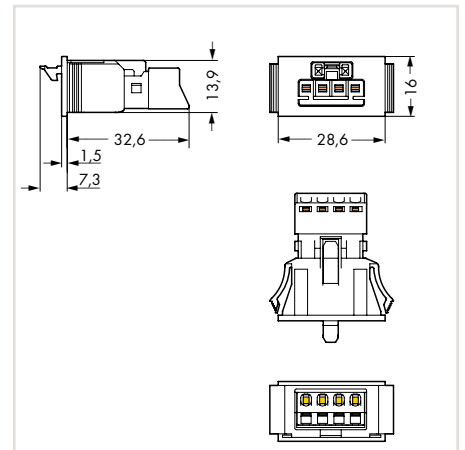
Dimensions (in mm):



Dimensions (in mm):



Dimensions (in mm):



Socket		
Color	Item No.	Pack. Unit
● black	890-704	50
○ white	890-724	50

Plugs		
Color	Item No.	Pack. Unit
● black	890-714	50
○ white	890-734	50

Coding	Marking	Color
A	N Ⓢ 2L 1L	● black
A	N Ⓢ 2L 1L	○ white

WINSTA® MINI

Pluggable PCB Connectors, 4-Pole

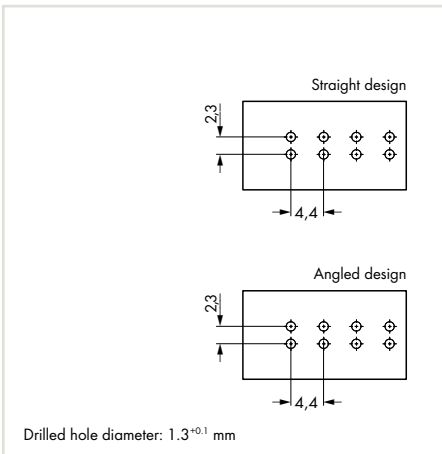
890 Series

1

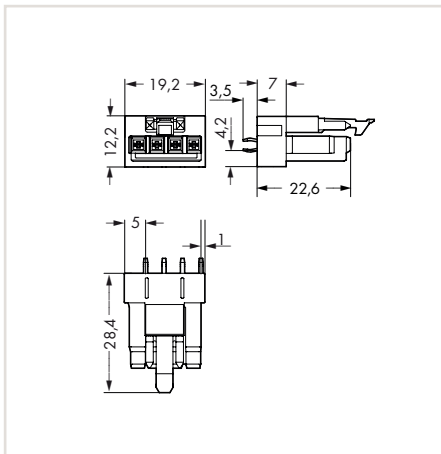
Rated voltage	250 V
Rated current	16 A



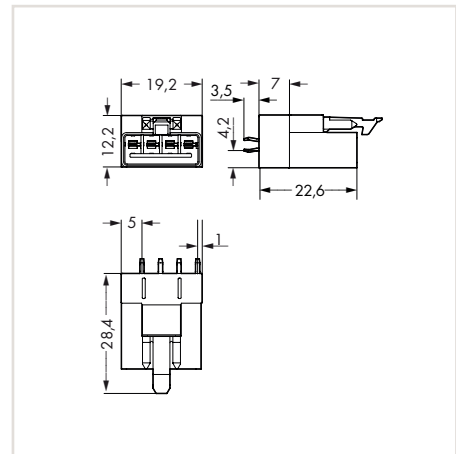
Dimensions (in mm):



Dimensions (in mm):



Dimensions (in mm):



Socket, straight		
Color	Item No.	Pack. Unit
● black	890-804	100
○ white	890-824	100

Plug, straight		
Color	Item No.	Pack. Unit
● black	890-814	100
○ white	890-834	100

Note:

All connectors for fixed installations (snap-in versions for lighting fixtures or devices, all types of PCB and distribution connectors) are factory-equipped with locking levers to ensure plugs and sockets are securely locked. Additional locking levers are only required for "flying leads" (plug/socket).

890 Series Accessories, see page 352

Approvals, see www.wago.com

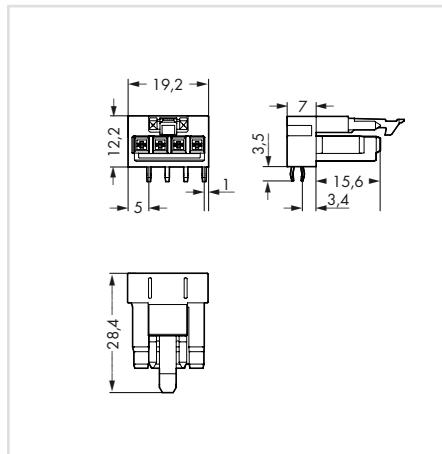
Coding overview, see page 372

Coding	Marking	Color
A	N ⊕ 2L 1L	● black
A	N ⊕ 2L 1L	○ white

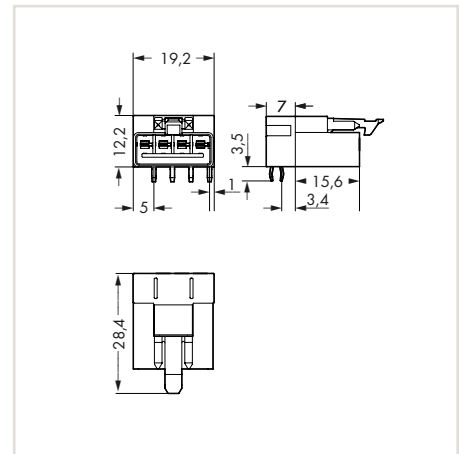
Rated voltage	250 V
Rated current	16 A



Dimensions (in mm):



Dimensions (in mm):



Socket, angled		
Color	Item No.	Pack. Unit
● black	890-804/011-000	100
○ white	890-824/011-000	100

Plug, angled		
Color	Item No.	Pack. Unit
● black	890-814/011-000	100
○ white	890-834/011-000	100

Coding	Marking	Color
A	N Ⓢ 2L 1L	● black
A	N Ⓢ 2L 1L	○ white

WINSTA® MINI

Intermediate Couplers, 4-Pole

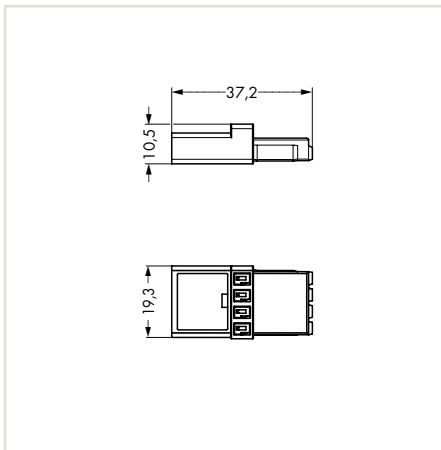
890 Series

1

Rated voltage	400 V
Rated current	16 A



Dimensions (in mm):



Intermediate coupler ,
1 x plug/1 x socket

Color	Item No.	Pack. Unit
● black	890-604	50
○ white	890-654	50

Note

At least one snap-in connector **without** a locking lever is required on one side when connecting two lights directly via intermediate coupler.

890 Series Accessories, see page 352

Approvals, see www.wago.com

Coding overview, see page 372

Coding	Marking	Color
A	-	● black
A	-	○ white

WINSTA® MINI

Distribution Connectors, 4-Pole

890 Series

Rated voltage

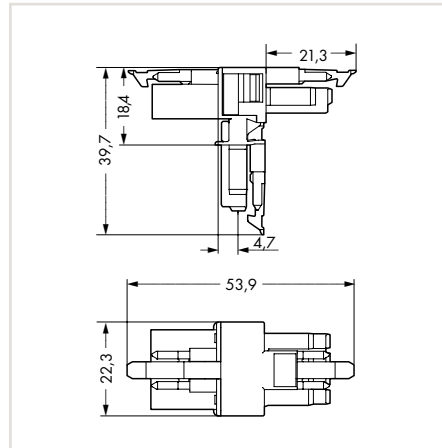
400 V

Rated current

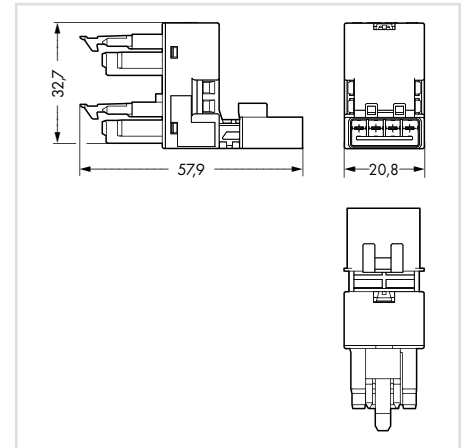
16 A



Dimensions (in mm):



Dimensions (in mm):



T-distribution connector,
1 x plug/2 x socket

Color	Item No.	Pack. Unit
● black	890-626	50
○ white	890-676	50

h-distribution connector, unidirectional,
plug/socket – socket

Color	Item No.	Pack. Unit
● black	890-944	50
○ white	890-994	50

T-distribution connector,
1 x plug/2 x socket,
for "flying leads,"
with 3rd locking lever

Color	Item No.	Pack. Unit
● black	890-627	50
○ white	890-677	50

h-distribution connector, unidirectional,
plug/socket – socket,
for "flying leads,"
with 3rd locking lever

Color	Item No.	Pack. Unit
● black	890-945	50
○ white	890-995	50

Coding

A

A

Marking

N Ⓢ 2L 1L

N Ⓢ 2L 1L

Color

● black

○ white

WINSTA® MINI

Sockets and Plugs, 5-Pole

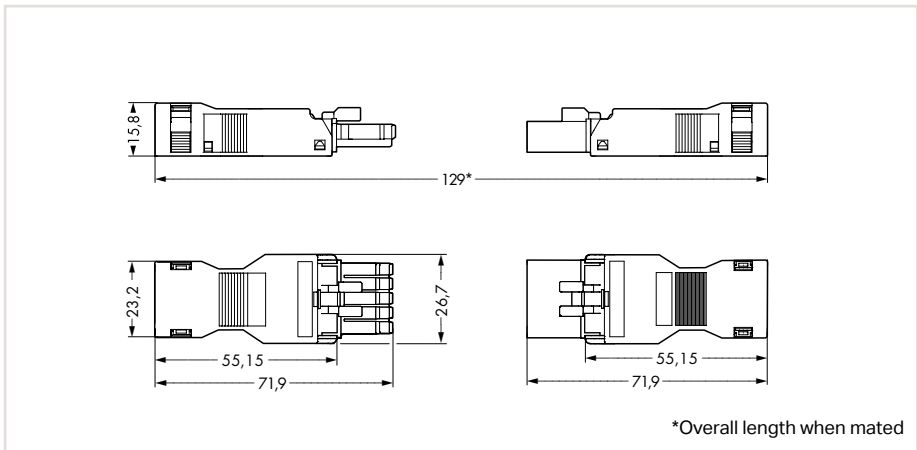
890 Series

1

Conductor range, solid and fine-stranded	0.25 ... 1.5 mm ² / 22 ... 16 AWG
Conductor range, stranded	0.25 ... 1 mm ² / 22 ... 18 AWG
Rated voltage	400 V
Rated current	13 A
Strip length	9 mm / 0.35 inch



Dimensions (in mm):



*Overall length when mated

Socket, with strain relief housing, for 6.5 ... 10.5 mm cable diameter, 45 mm strip length

Color	Item No.	Pack. Unit
● black	890-105	50
○ white	890-125	50

Plug, with strain relief housing, for 6.5 ... 10.5 mm cable diameter, 45 mm strip length

Color	Item No.	Pack. Unit
● black	890-115	50
○ white	890-135	50

Note:

All connectors for fixed installations (snap-in versions for lighting fixtures or devices, all types of PCB and distribution connectors) are factory-equipped with locking levers to ensure plugs and sockets are securely locked. Additional locking levers are only required for "flying leads" (plug/socket).

890 Series Accessories, see page 352

Approvals, see www.wago.com

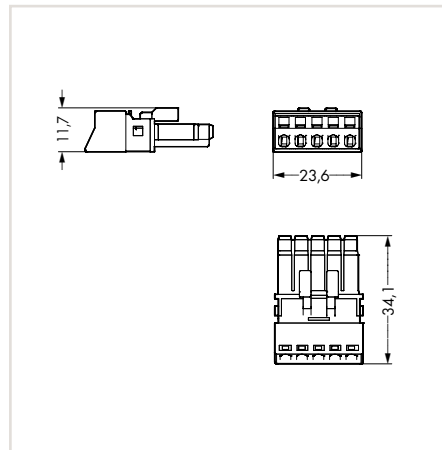
Coding overview, see page 372

Coding	Marking	Color
A	N ⊕ 1 2 3	● black
A	N ⊕ 1 2 3	○ white

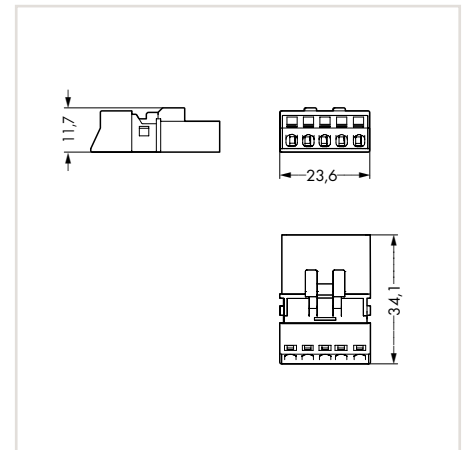
Conductor range, solid and fine-stranded	0.25 ... 1.5 mm ² / 22 ... 16 AWG
Conductor range, stranded	0.25 ... 1 mm ² / 22 ... 18 AWG
Rated voltage	400 V
Rated current	13 A (16 A for DALI applications)
Strip length	9 mm / 0.35 inch



Dimensions (in mm):



Dimensions (in mm):


**Socket,
without strain relief housing**

Color	Item No.	Pack. Unit
● black	890-205	50
○ white	890-225	50
● blue	890-1105	50

**Plug,
without strain relief housing**

Color	Item No.	Pack. Unit
● black	890-215	50
○ white	890-235	50
● blue	890-1115	50

Coding	Marking	Color
A	N ⊕ 1 2 3	● black
A	N ⊕ 1 2 3	○ white
I	N ⊕ L + -	● blue

WINSTA® MINI

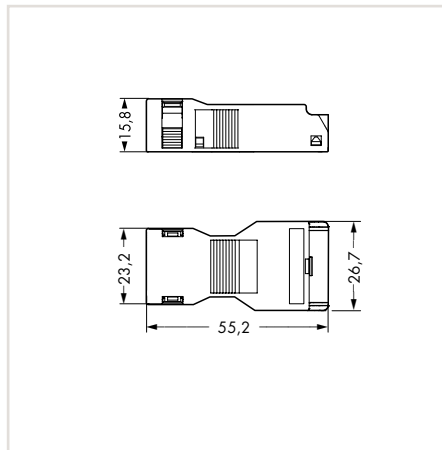
Strain Relief Housings, 5-Pole

890 Series

1



Dimensions (in mm):





Strain relief housing,
for 6.5 ... 10.5 mm cable diameter,
45 mm strip length


Color	Item No.	Pack. Unit
black	890-505	50
white	890-515	50

Note:

All connectors for fixed installations (snap-in versions for lighting fixtures or devices, all types of PCB and distribution connectors) are factory-equipped with locking levers to ensure plugs and sockets are securely locked. Additional locking levers are only required for "flying leads" (plug/socket).

 890 Series Accessories,
see page 352

 Approvals,
see www.wago.com

 Coding overview,
see page 372

WINSTA® MINI

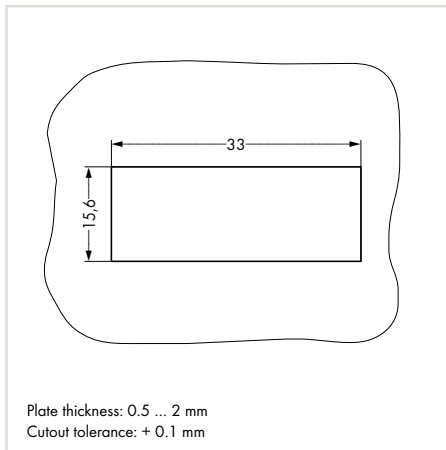
Snap-In Sockets and Plugs, 5-Pole

890 Series

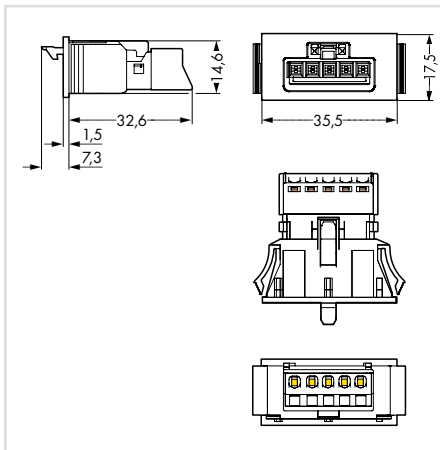
Conductor range, solid and fine-stranded	0.25 ... 1.5 mm ² / 22 ... 16 AWG
Conductor range, stranded	0.25 ... 1 mm ² / 22 ... 18 AWG
Rated voltage	400 V
Rated current	13 A (16 A for DALI applications)
Strip length	9 mm / 0.35 inch



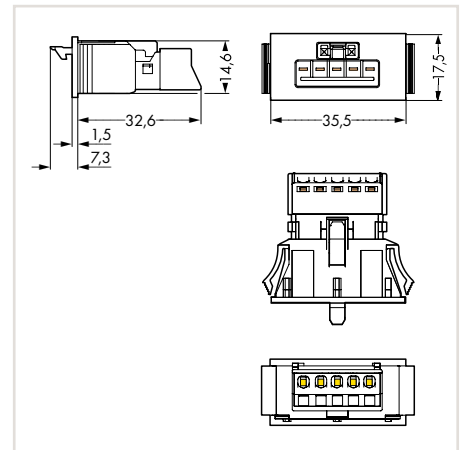
Dimensions (in mm):



Dimensions (in mm):



Dimensions (in mm):



Socket		
Color	Item No.	Pack. Unit
● black	890-705	50
○ white	890-725	50
● blue	890-2105	50

Plugs		
Color	Item No.	Pack. Unit
● black	890-715	50
○ white	890-735	50
● blue	890-2115	50

Socket, without locking lever, for lighting installation with intermediate coupler		
Color	Item No.	Pack. Unit
● black	890-705/006-000	50
○ white	890-725/006-000	50
● blue	890-2105/006-000	50

Plug, without locking lever, for lighting installation with intermediate coupler		
Color	Item No.	Pack. Unit
● black	890-715/006-000	50
○ white	890-735/006-000	50
● blue	890-2115/006-000	50

Coding	Marking	Color
A	N ⊕ 1 2 3	● black
A	N ⊕ 1 2 3	○ white
I	N ⊕ L + -	● blue

WINSTA® MINI

Pluggable PCB Connectors, 5-Pole

890 Series

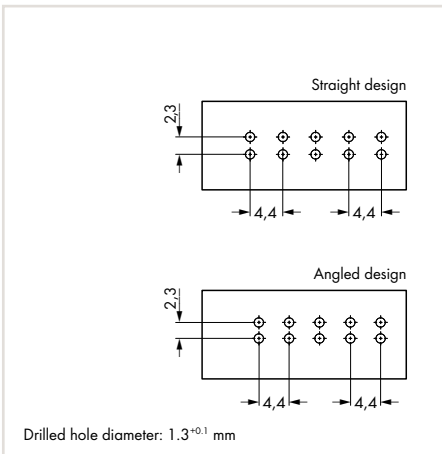
1

Rated voltage
Rated current

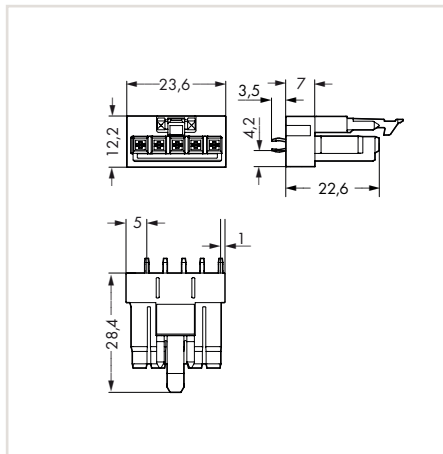
250 V
13 A (16 A for DALI applications)



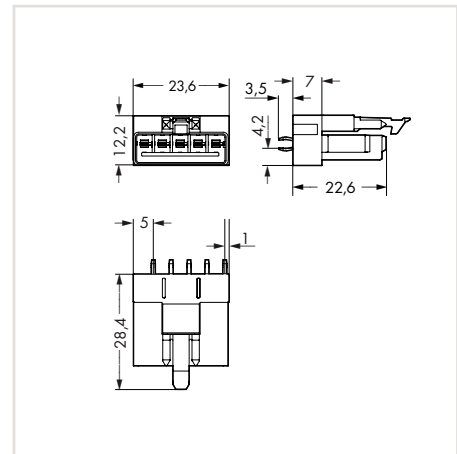
Dimensions (in mm):



Dimensions (in mm):



Dimensions (in mm):



Socket, straight		
Color	Item No.	Pack. Unit
● black	890-805	100
○ white	890-825	100
● blue	890-3105	100

Plug, straight		
Color	Item No.	Pack. Unit
● black	890-815	100
○ white	890-835	100
● blue	890-3115	100

Note:

All connectors for fixed installations (snap-in versions for lighting fixtures or devices, all types of PCB and distribution connectors) are factory-equipped with locking levers to ensure plugs and sockets are securely locked. Additional locking levers are only required for "flying leads" (plug/socket).

890 Series Accessories, see page 352

Approvals, see www.wago.com

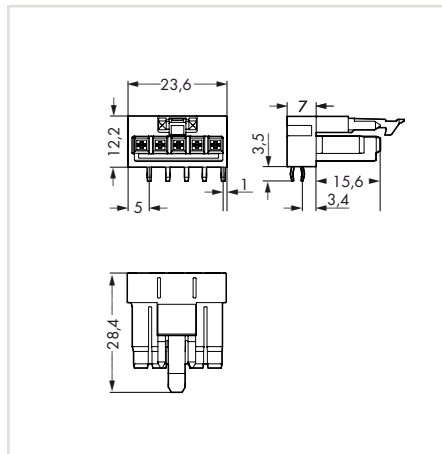
Coding overview, see page 372

Coding	Marking	Color
A	N ⊕ 1 2 3	● black
A	N ⊕ 1 2 3	○ white
I	N ⊕ L + -	● blue

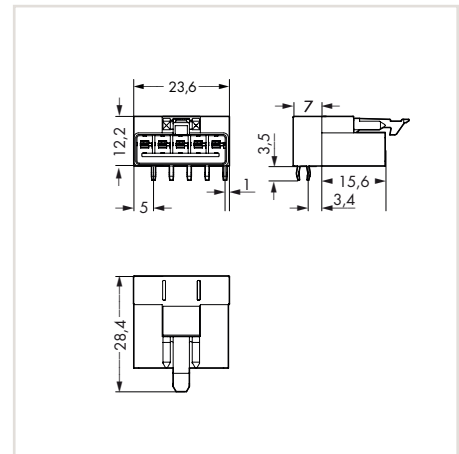
Rated voltage	250 V
Rated current	13 A (16 A for DALI applications)



Dimensions (in mm):



Dimensions (in mm):



Socket, angled		
Color	Item No.	Pack. Unit
● black	890-805/011-000	100
○ white	890-825/011-000	100
● blue	890-3105/011-000	100

Plug, angled		
Color	Item No.	Pack. Unit
● black	890-815/011-000	100
○ white	890-835/011-000	100
● blue	890-3115/011-000	100

Coding	Marking	Color
A	N ⊕ 1 2 3	● black
A	N ⊕ 1 2 3	○ white
I	N ⊕ L + -	● blue

WINSTA® MINI

Distribution Connectors, 5-Pole

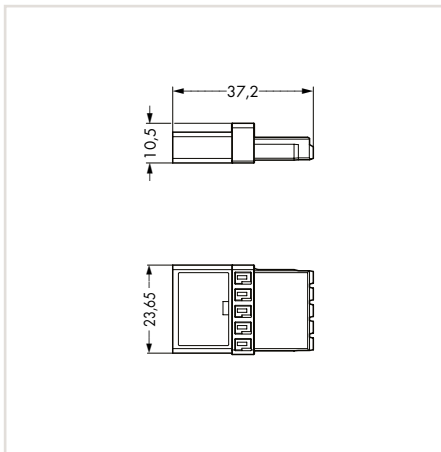
890 Series

1

Rated voltage	400 V
Rated current	13 A (16 A for DALI applications)



Dimensions (in mm):



Intermediate coupler , 1 x plug/1 x socket		
Color	Item No.	Pack. Unit
● black	890-605	50
○ white	890-655	50
● blue	890-619	50

Note
At least one snap-in connector **without** a locking lever is required on one side when connecting two lights directly via intermediate coupler (see page 51).

890 Series Accessories, see page 352

Approvals, see www.wago.com

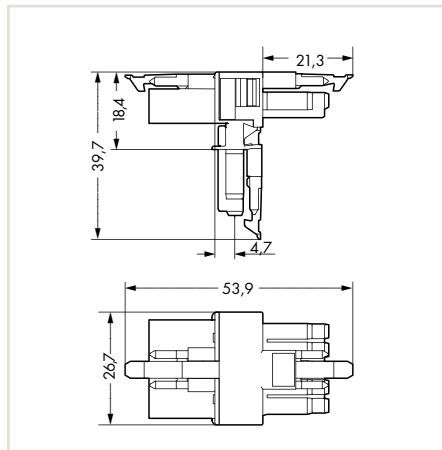
Coding overview, see page 372

Coding	Marking	Color
A	-	● black
A	-	○ white
I	-	● blue

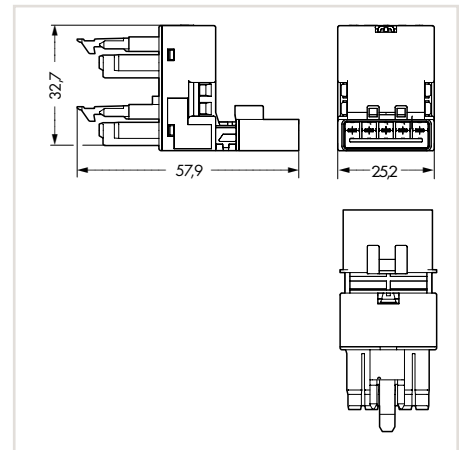
Rated voltage	400 V
Rated current	13 A (16 A for DALI applications)



Dimensions (in mm):



Dimensions (in mm):



T-distribution connector, 1 x plug/2 x socket		
Color	Item No.	Pack. Unit
● black	890-621	50
○ white	890-671	50
● blue	890-617	50

h-distribution connector, unidirectional, plug/socket – socket		
Color	Item No.	Pack. Unit
● black	890-929	50
○ white	890-979	50
● blue	890-982	50

T-distribution connector, 1 x plug/2 x socket, for "flying leads," with 3rd locking lever		
Color	Item No.	Pack. Unit
● black	890-622	50
○ white	890-672	50
● blue	890-620	50

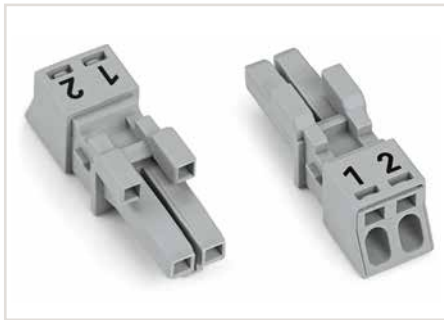
h-distribution connector, unidirectional, plug/socket – socket, for "flying leads," with 3rd locking lever		
Color	Item No.	Pack. Unit
● black	890-930	50
○ white	890-980	50
● blue	890-983	50

Coding	Marking	Color
A	N ⊕ 1 2 3	● black
A	N ⊕ 1 2 3	○ white
I	N ⊕ L + -	● blue

WINSTA® MINI special

Technical Data, 2- to 5-Pole

890 / 891 Series



2

Connection Data

Connection technology	Push-in CAGE CLAMP®
Solid conductor	0.25 ... 1.5 mm ² / 22 ... 16 AWG
Solid conductor, push-in termination	0.75 ... 1.5 mm ² / 20 ... 16 AWG
Stranded conductor	0.25 ... 1 mm ² / 22 ... 18 AWG
Fine-stranded conductor	0.25 ... 1.5 mm ² / 22 ... 16 AWG
Fine-stranded conductor with uninsulated ferrule	0.25 ... 0.75 mm ² / 22 ... 20 AWG
Fine-stranded conductor with insulated ferrule	0.25 ... 0.75 mm ² / 22 ... 20 AWG
Strip length	9 mm / 0.35 inch (see also packaging or instructions)

Electrical Data

Ratings per*	IEC/EN 60664-1
Rated voltage (III / 3)	
2-pole	250 V
3-pole	250 V
4-pole	400 V (250 V for PCB terminal blocks)
5-pole	400 V (250 V for PCB terminal blocks)
Rated surge voltage (III / 3)	
2-pole	4 kV
3-pole	4 kV
4-pole	6 kV (4 kV for PCB terminal blocks)
5-pole	6 kV (4 kV for PCB terminal blocks)
Rated current	
2-pole	16 A
3-pole	16 A 13 A for 3-pole load
4-pole	16 A 13 A for 3-pole load 10 A for 4-pole load
5-pole	16 A 13 A for 3-pole load 10 A for 4- and 5-pole load
Approvals per	UL 1977 (factory wiring only)
Rated voltage (UL)	600 V
Rated current (UL)	
2-pole / 3-pole	14 A
4-pole / 5-pole	12 A


Application note for the U.S. market (USR):


Some versions may also be used for current interruption in accordance with the UL certificate in select applications with currents below 5 A and voltages up to 600 V.


For further information, please contact your local sales office.

Clearances and creepage distances	≥ 5.5 mm with strain relief ≥ 6.5 mm to exposed surfaces (Protection Category II)
Contact resistance	approx. 1 mΩ contact resistance approx. 0.25 mΩ contact transition socket / plug
Number of potentials	
2-pole	2
3-pole	3
4-pole	4
5-pole	5
Number of connection points	
2-pole	2
3-pole	3
4-pole	4
5-pole	5

*(III / 3) ≙ Overvoltage category III /
Pollution degree 3

 890/891 Series Accessories,
see page 352

 Approvals,
see www.wago.com

 Codings,
see page 372

Mechanical Data

Mating cycles	200, without resistive load 100, with resistive load $I_N = 16 \text{ A}$ (1.5 mm ²)
Mating forces	20 N
Unmating forces	20 N (unlocked)
Retention forces	> 80 N (locked)
Cable diameter	
2-pole	0.5 ... 0.9 mm
3-pole	4.5 ... 10 mm
4-pole	6.5 ... 10.5 mm Ø
5-pole	6.5 ... 10.5 mm Ø
Protection type	IP2xC (with strain relief housing) Note: These compact connectors are not designed for use in open, easily accessible areas.
Processing temperature	-5 ... +40 °C
Continuous operating temperature	-35 ... ≤ +85 °C PVC cable ≤ +70 °C (incl. halogen-free) Insulating parts ≤ +105 °C

Locking Levers

All connectors for mounted installations (snap-in versions for lighting fixtures or devices, all types of PCB and distribution connectors) are factory-equipped with locking levers to ensure plugs and sockets are securely locked. Additional locking levers are only required for "flying leads" (plug/socket).

Material Data

Insulating parts	Polyamide (PA 66), halogen-free
Contacts	Copper or copper alloy, surface-treated
Clamping spring	Stainless steel (Cr-Ni)
Flammability class (per UL 94)	V0

Standards/Approvals

- UL (Depending on end-product standard, it may be necessary to use UL-approved cables with an appropriate AWG. These cables are available upon request.)
- CCA certificate
- IEC 61984
- LR
- GL
- DNV

WINSTA® MINI special

Description and Installation

890 / 891 Series

2



Gray, B-coded connector with "2 1" marking, e.g., control signal (A circuit)



Easy circuit identification via different marking and colors



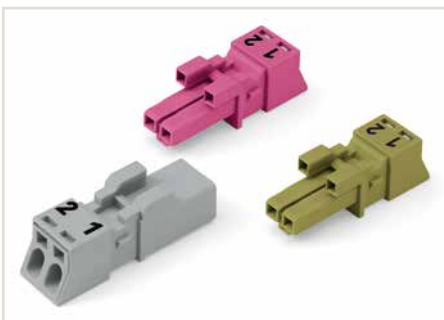
B-coded connectors (shown in gray) not only differ in color, but also in their design, making them incompatible with other coded connectors.



Light green, B-coded connector with "- +" marking; e.g., DC power supply (24 V circuit)



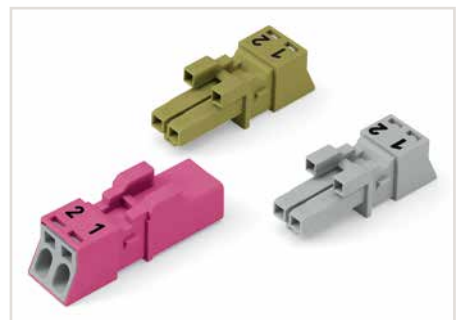
Pink, B-coded connector with "2 1" marking, e.g., control signal (B circuit)



B-coded connectors with different colors can be plugged together.



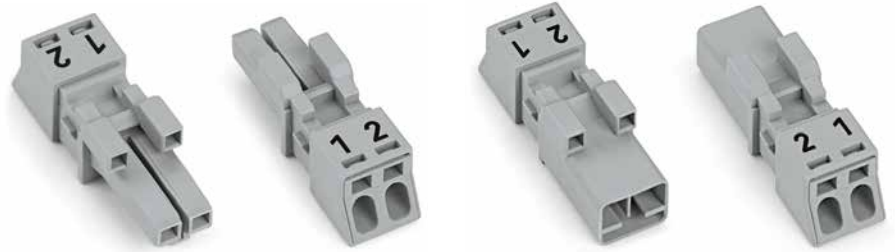
Important note:
 Different colors and/or pole markings are used for circuit identification.
 Only connectors of the same color and same pole marking must be plugged together.



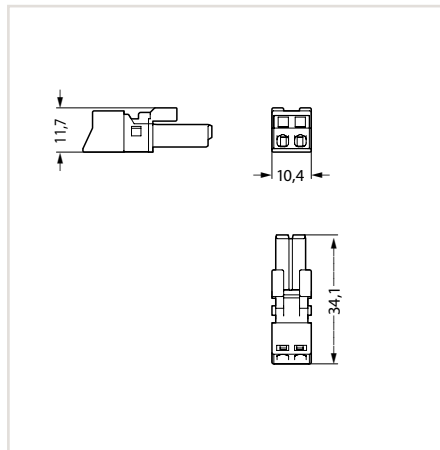
Installation notes for conductor connection, shield termination, operating tools and mounting aids for WINSTA® MINI special pluggable connectors are on page 10.

WINSTA® MINI special Sockets and Plugs, 2-Pole 890 Series

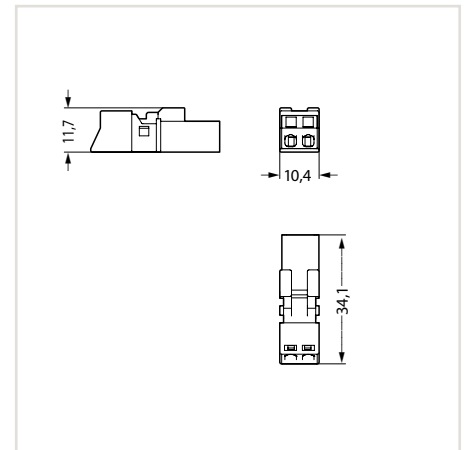
Conductor range, solid and fine-stranded	0.25 ... 1.5 mm ² / 22 ... 16 AWG
Conductor range, stranded	0.25 ... 1 mm ² / 22 ... 18 AWG
Rated voltage	250 V
Rated current	16 A
Strip length	9 mm / 0.35 inch



Dimensions (in mm):



Dimensions (in mm):



Socket, without strain relief housing

Color	Item No.	Pack. Unit
gray	890-242	50
gray	890-242/060-000	50
light green	890-262	50
pink	890-282	50
pink	890-282/080-000	50
pink	890-282/082-000	50

Plug, without strain relief housing

Color	Item No.	Pack. Unit
gray	890-252	50
gray	890-252/060-000	50
light green	890-272	50
pink	890-292	50
pink	890-292/080-000	50
pink	890-292/082-000	50

Additional pole markings available upon request.

Note:

All connectors for fixed installations (snap-in versions for lighting fixtures or devices, all types of PCB and distribution connectors) are factory-equipped with locking levers to ensure plugs and sockets are securely locked. Additional locking levers are only required for "flying leads" (plug/socket).

890 Series Accessories, see page 352

Approvals, see www.wago.com

Coding overview, see page 374

Coding	Marking	Suffix No.	Color
B	1 2		gray
B	L N	/060-000	gray
B	1 2		light green
B	1 2		pink
B	1+ 1-	/080-000	pink
B	+ -	/082-000	pink

WINSTA® MINI special

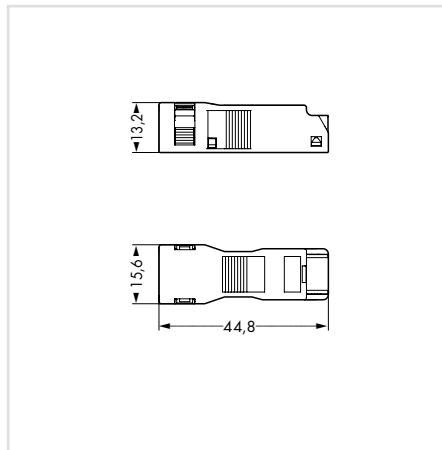
Strain Relief Housings, 2-Pole

890 Series

2



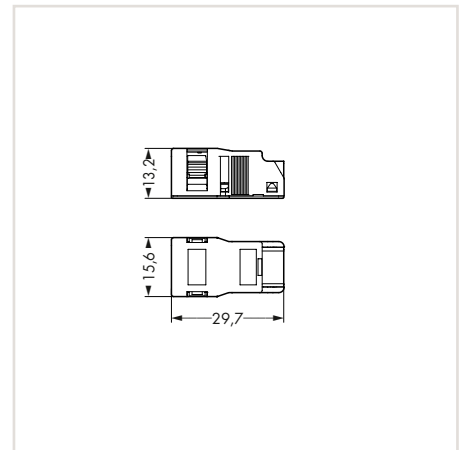
Dimensions (in mm):



Strain relief housing,
for 3.8 ... 8.2 mm cable diameter,
30 mm strip length

Color	Item No.	Pack. Unit
black	890-502	50
white	890-512	50

Dimensions (in mm):




Strain relief housing, short,
for 3.8 ... 8.2 mm cable diameter,
17.5 mm strip length


Color	Item No.	Pack. Unit
black	890-502/342-000	50
white	890-512/342-000	50


Additional pole markings available upon request.

Note:

All connectors for fixed installations (snap-in versions for lighting fixtures or devices, all types of PCB and distribution connectors) are factory-equipped with locking levers to ensure plugs and sockets are securely locked. Additional locking levers are only required for "flying leads" (plug/socket).

 890 Series Accessories,
see page 352

 Approvals,
see www.wago.com

 Coding overview,
see page 374

WINSTA® MINI special

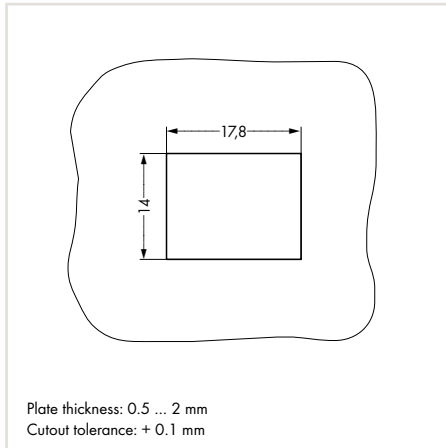
Snap-In Sockets and Plugs, 2-Pole

890 Series

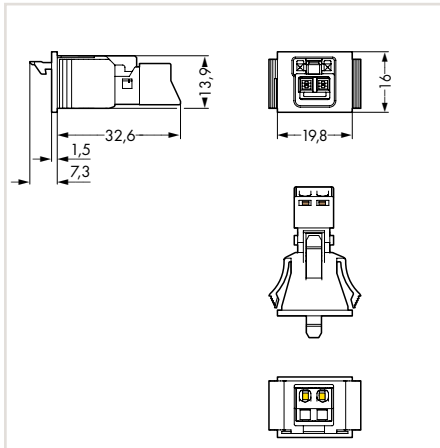
Conductor range, solid and fine-stranded	0.25 ... 1.5 mm ² / 22 ... 16 AWG
Conductor range, stranded	0.25 ... 1 mm ² / 22 ... 18 AWG
Rated voltage	250 V
Rated current	16 A
Strip length	9 mm / 0.35 inch



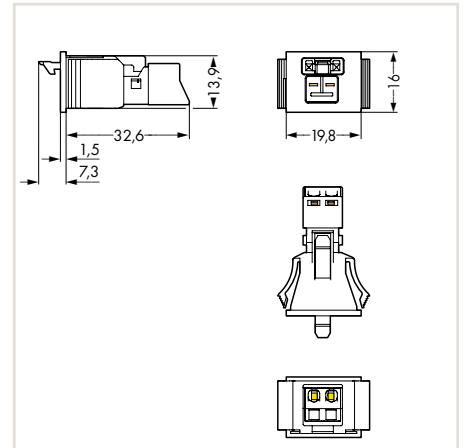
Dimensions (in mm):



Dimensions (in mm):



Dimensions (in mm):



Socket		
Color	Item No.	Pack. Unit
gray	890-742	50
gray	890-742/060-000	50
light green	890-762	50
pink	890-782	50
pink	890-782/080-000	50
pink	890-782/082-000	50

Plugs		
Color	Item No.	Pack. Unit
gray	890-752	50
gray	890-752/060-000	50
light green	890-772	50
pink	890-792	50
pink	890-792/080-000	50
pink	890-792/082-000	50

Coding	Marking	Suffix No.	Color
B	1 2		gray
B	L N	/060-000	gray
B	1 2		light green
B	1 2		pink
B	1+ 1-	/080-000	pink
B	+ -	/082-000	pink

WINSTA® MINI special

Pluggable PCB Connectors, 2-Pole

890 Series

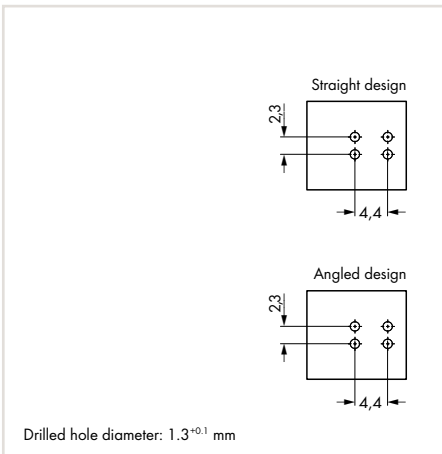
Rated voltage	250 V
Rated current	16 A

Rated voltage	250 V
Rated current	16 A

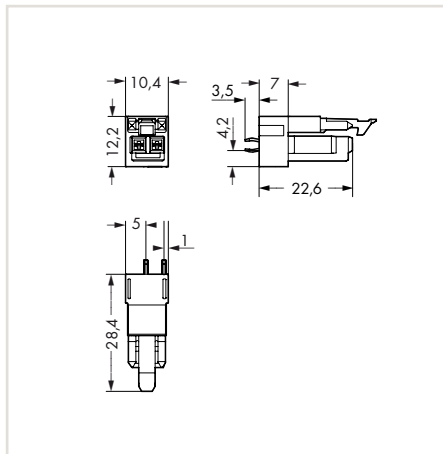
2



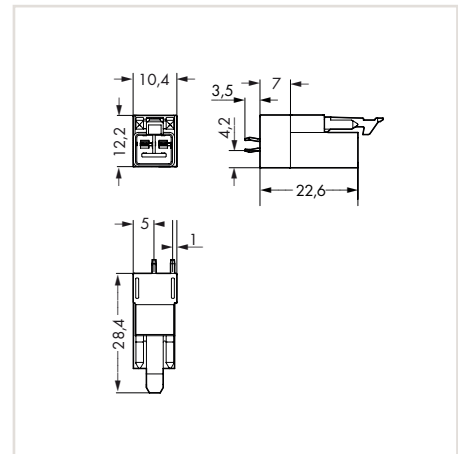
Dimensions (in mm):



Dimensions (in mm):



Dimensions (in mm):



Socket, straight		
Color	Item No.	Pack. Unit
gray	890-842	100
light green	890-862	100
pink	890-882	100

Plug, straight		
Color	Item No.	Pack. Unit
gray	890-852	100
light green	890-872	100
pink	890-892	100

Additional pole markings available upon request.

Note:

All connectors for fixed installations (snap-in versions for lighting fixtures or devices, all types of PCB and distribution connectors) are factory-equipped with locking levers to ensure plugs and sockets are securely locked. Additional locking levers are only required for "flying leads" (plug/socket).

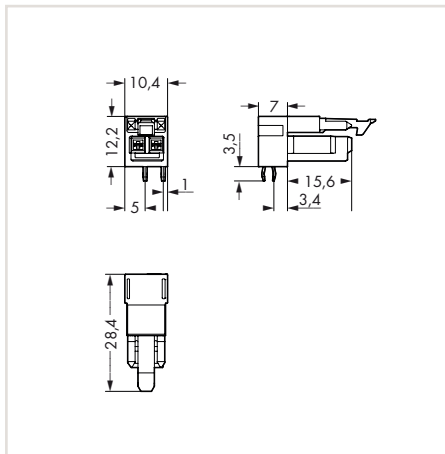
- 890 Series Accessories, see page 352
- Approvals, see www.wago.com
- Coding overview, see page 374

Coding	Marking	Color
B	1 2	gray
B	1 2	light green
B	1 2	pink

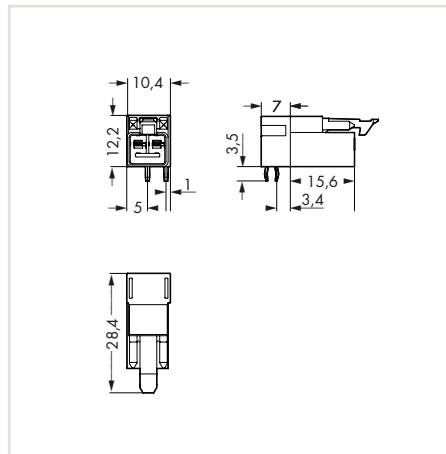
Rated voltage	250 V
Rated current	16 A



Dimensions (in mm):



Dimensions (in mm):



Socket, angled		
Color	Item No.	Pack. Unit
● gray	890-842/011-000	100
● light green	890-862/011-000	100
● pink	890-882/011-000	100

Plug, angled		
Color	Item No.	Pack. Unit
● gray	890-852/011-000	100
● light green	890-872/011-000	100
● pink	890-892/011-000	100

Coding	Marking	Color
B	1 2	● gray
B	1 2	● light green
B	1 2	● pink

WINSTA® MINI special

Distribution Connectors, 2-Pole

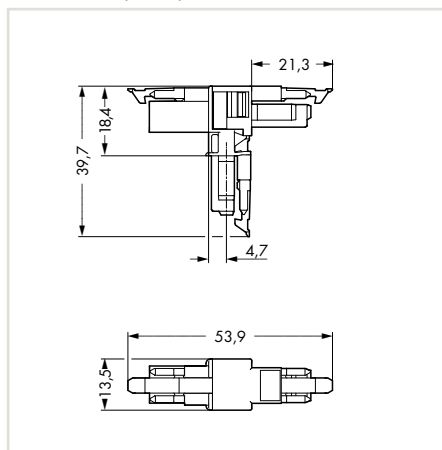
890 Series

Rated voltage	250 V
Rated current	16 A

2



Dimensions (in mm):



T-distribution connector,
1 x plug/2 x socket

Color	Item No.	Pack. Unit
gray	890-1601	25
light green	890-1602	25
pink	890-1603	25

T-distribution connector,
1 x plug/2 x socket,
for "flying leads,"
with 3rd locking lever

Color	Item No.	Pack. Unit
gray	890-1701	25
light green	890-1702	25
pink	890-1703	25

Additional pole markings available upon request.

890 Series Accessories,
see page 352

Approvals,
see www.wago.com

Coding overview,
see page 374

Coding	Marking	Color
B	1 2	gray
B	1 2	light green
B	1 2	pink

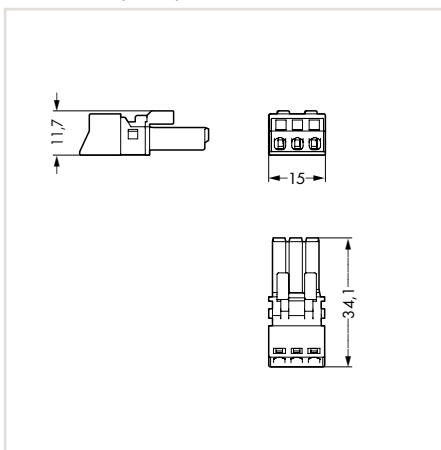
WINSTA® MINI special Sockets and Plugs, 3-Pole 890 Series

2

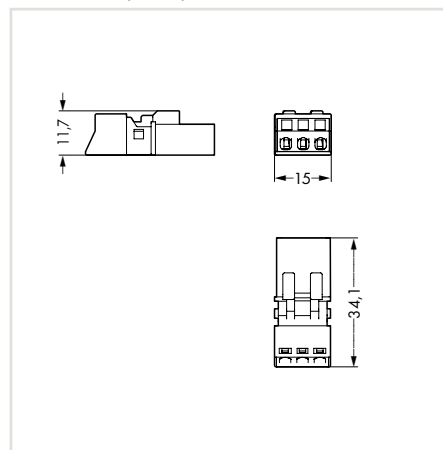
Conductor range, solid and fine-stranded	0.25 ... 1.5 mm ² / 22 ... 16 AWG
Conductor range, stranded	0.25 ... 1 mm ² / 22 ... 18 AWG
Rated voltage	250 V
Rated current	16 A (restrictions, see page 62)
Strip length	9 mm / 0.35 inch



Dimensions (in mm):



Dimensions (in mm):



Socket, without strain relief housing		
Color	Item No.	Pack. Unit
○ gray	890-243	50
○ gray	890-243/060-000	50
○ gray	890-243/062-000	50
● light green	890-263	50
● light green	890-263/071-000	50
● light green	890-263/073-000	50
● pink	890-283	50
● pink	890-283/081-000	50
● pink	890-283/082-000	50

Plug, without strain relief housing		
Color	Item No.	Pack. Unit
○ gray	890-253	50
○ gray	890-253/060-000	50
○ gray	890-253/062-000	50
● light green	890-273	50
● light green	890-273/071-000	50
● light green	890-273/073-000	50
● pink	890-293	50
● pink	890-293/081-000	50
● pink	890-293/082-000	50

Additional pole markings available upon request.

Note:

All connectors for fixed installations (snap-in versions for lighting fixtures or devices, all types of PCB and distribution connectors) are factory-equipped with locking levers to ensure plugs and sockets are securely locked. Additional locking levers are only required for "flying leads" (plug/socket).

890 Series Accessories, see page 352

Approvals, see www.wago.com

Coding overview, see page 374

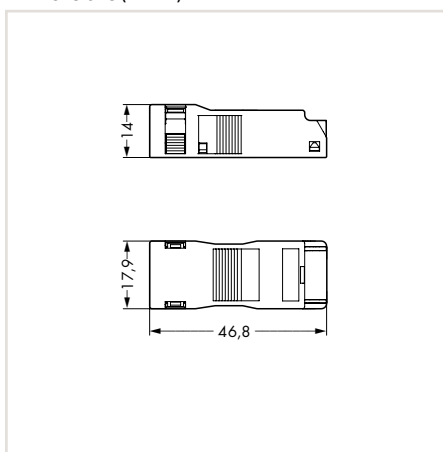
Coding	Marking	Suffix No.	Color
B	1 2 3		○ gray
B	L ⊕ N	/060-000	○ gray
B	2 PE 1	/062-000	○ gray
B	1 2 3		● light green
B	U+ X/Y U-	/071-000	● light green
B	1 ⊕ 2	/073-000	● light green
B	1 2 3		● pink
B	1 2 5	/081-000	● pink
B	+ S -	/082-000	● pink

WINSTA® MINI special Strain Relief Housings, 3-Pole 890 Series

2



Dimensions (in mm):



Strain relief housing,
for 4.5 ... 10 mm cable diameter,
37 mm strip length

Color	Item No.	Pack. Unit
black	890-503	50
white	890-513	50

WINSTA® MINI special

Snap-In Sockets and Plugs, 3-Pole

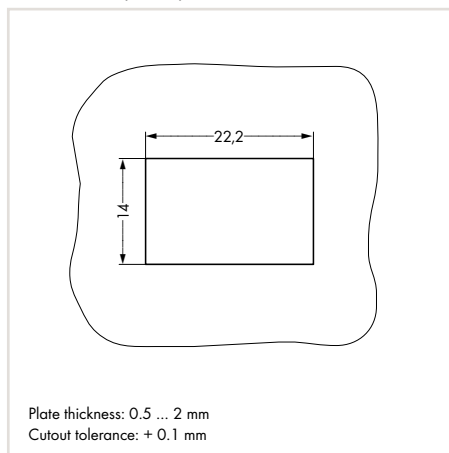
890 Series

2

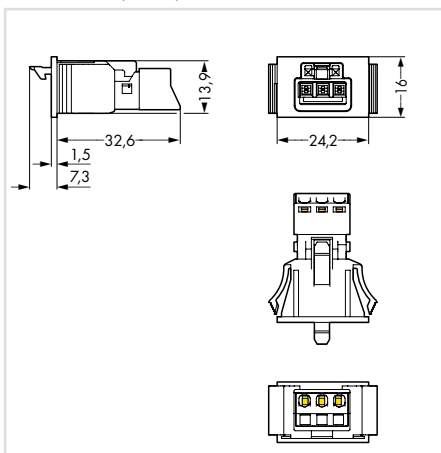
Conductor range, solid and fine-stranded	0.25 ... 1.5 mm ² / 22 ... 16 AWG
Conductor range, stranded	0.25 ... 1 mm ² / 22 ... 18 AWG
Rated voltage	250 V
Rated current	16 A (restrictions, see page 62)
Strip length	9 mm / 0.35 inch



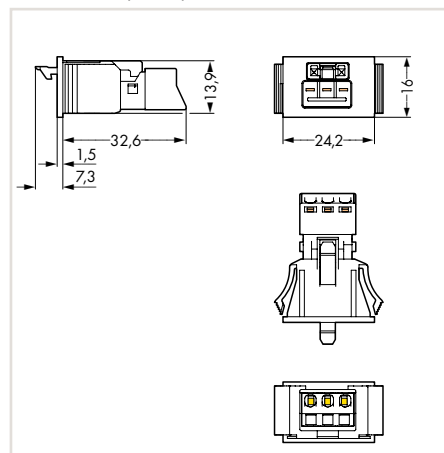
Dimensions (in mm):



Dimensions (in mm):



Dimensions (in mm):



Socket		
Color	Item No.	Pack. Unit
gray	890-743	50
gray	890-743/060-000	50
gray	890-743/062-000	50
light green	890-763	50
light green	890-763/071-000	50
light green	890-763/073-000	50
pink	890-783	50
pink	890-783/081-000	50
pink	890-783/082-000	50

Plugs		
Color	Item No.	Pack. Unit
gray	890-753	50
gray	890-753/060-000	50
gray	890-753/062-000	50
light green	890-773	50
light green	890-773/071-000	50
light green	890-773/073-000	50
pink	890-793	50
pink	890-793/081-000	50
pink	890-793/082-000	50

Additional pole markings available upon request.

Note:

All connectors for fixed installations (snap-in versions for lighting fixtures or devices, all types of PCB and distribution connectors) are factory-equipped with locking levers to ensure plugs and sockets are securely locked. Additional locking levers are only required for "flying leads" (plug/socket).

890 Series Accessories, see page 352

Approvals, see www.wago.com

Coding overview, see page 374

Coding	Marking	Suffix No.	Color
B	1 2 3		gray
B	L ⊕ N	/060-000	gray
B	2 PE 1	/062-000	gray
B	1 2 3		light green
B	U+ X/Y U-	/071-000	light green
B	1 ⊕ 2	/073-000	light green
B	1 2 3		pink
B	1 2 5	/081-000	pink
B	+ S -	/082-000	pink

WINSTA® MINI special

Pluggable PCB Connectors, 3-Pole

890 Series

Rated voltage

250 V

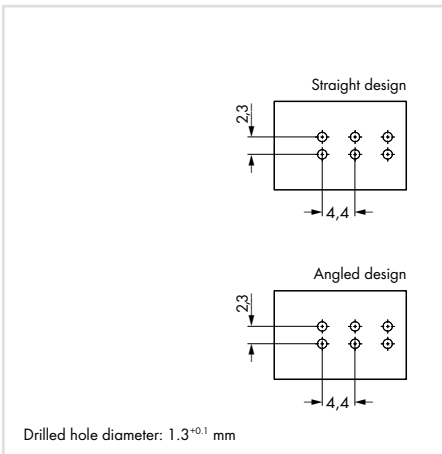
Rated current

16 A (restrictions, see page 62)

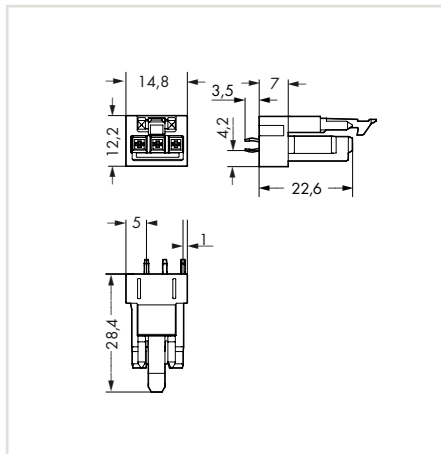
2



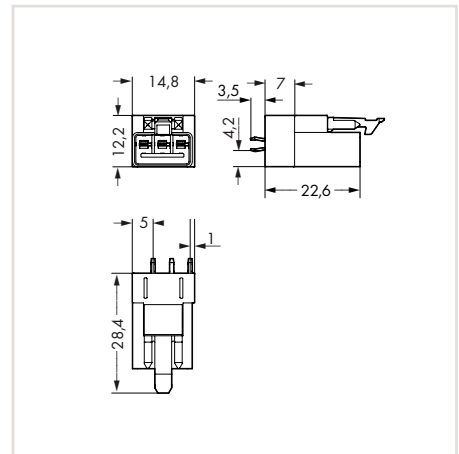
Dimensions (in mm):



Dimensions (in mm):



Dimensions (in mm):



Socket, straight

Color	Item No.	Pack. Unit
gray	890-843	100
light green	890-863	100
pink	890-883	100

Plug, straight

Color	Item No.	Pack. Unit
gray	890-853	100
light green	890-873	100
pink	890-893	100

Additional pole markings available upon request.

Note:

All connectors for fixed installations (snap-in versions for lighting fixtures or devices, all types of PCB and distribution connectors) are factory-equipped with locking levers to ensure plugs and sockets are securely locked. Additional locking levers are only required for "flying leads" (plug/socket).

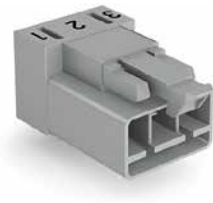
890 Series Accessories, see page 352

Approvals, see www.wago.com

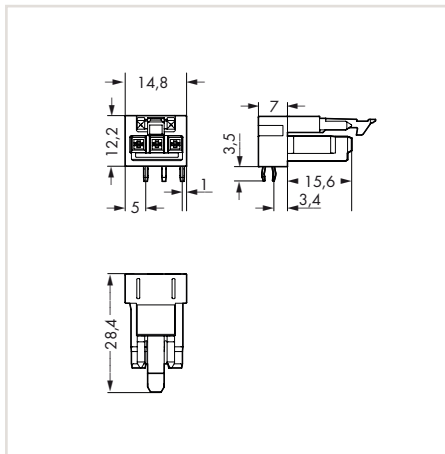
Coding overview, see page 374

Coding	Marking	Color
B	1 2 3	gray
B	1 2 3	light green
B	1 2 3	pink

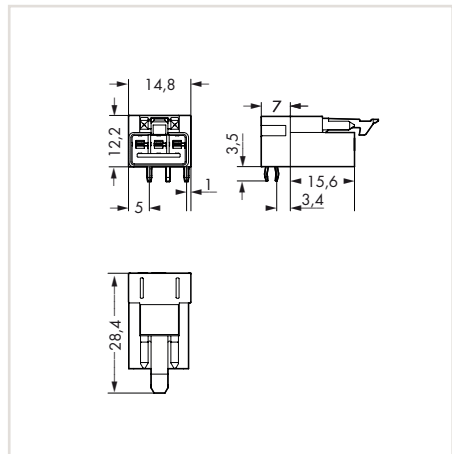
Rated voltage	250 V
Rated current	16 A (restrictions, see page 62)



Dimensions (in mm):



Dimensions (in mm):



Socket, angled		
Color	Item No.	Pack. Unit
● gray	890-843/011-000	100
● light green	890-863/011-000	100
● pink	890-883/011-000	100

Plug, angled		
Color	Item No.	Pack. Unit
● gray	890-853/011-000	100
● light green	890-873/011-000	100
● pink	890-893/011-000	100

Coding	Marking	Color
B	1 2 3	● gray
B	1 2 3	● light green
B	1 2 3	● pink

WINSTA® MINI special

Distribution Connectors, 3-Pole

890 Series

Rated voltage

250 V

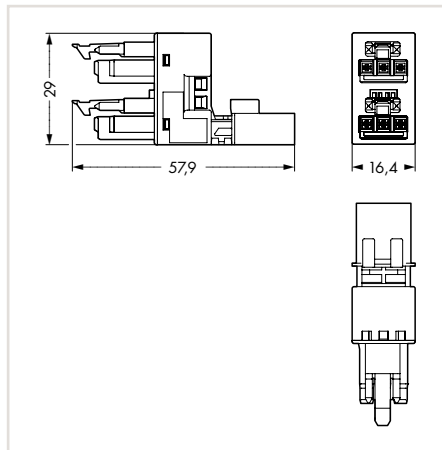
Rated current

16 A (restrictions, see page 62)

2



Dimensions (in mm):



h-distribution connector, unidirectional, plug/socket – socket

Color	Item No.	Pack. Unit
gray	890-1661	50
light green	890-1662	50
pink	890-1663	50

h-distribution connector, unidirectional, plug/socket – socket, for "flying leads," with 3rd locking lever

Color	Item No.	Pack. Unit
gray	890-1761	50
light green	890-1762	50
pink	890-1763	50

Additional pole markings available upon request.

890 Series Accessories, see page 352

Approvals, see www.wago.com

Coding overview, see page 374

Coding	Marking	Color
B	1 2 3	gray
B	1 2 3	light green
B	1 2 3	pink

WINSTA® MINI special

Sockets and Plugs, 4-Pole

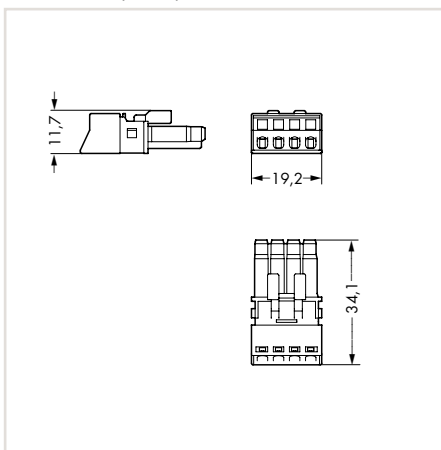
890 Series

2

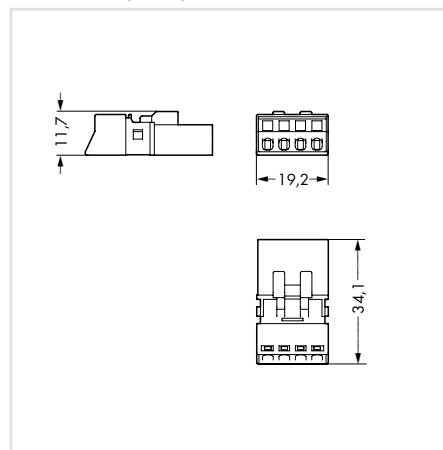
Conductor range, solid and fine-stranded	0.25 ... 1.5 mm ² / 22 ... 16 AWG
Conductor range, stranded	0.25 ... 1 mm ² / 22 ... 18 AWG
Rated voltage	400 V
Rated current	16 A (restrictions, see page 62)
Strip length	9 mm / 0.35 inch



Dimensions (in mm):



Dimensions (in mm):



Socket, without strain relief housing		
Color	Item No.	Pack. Unit
○ gray	890-244	50
○ gray	890-244/060-000	50
○ gray	890-244/062-000	50
○ gray	890-244/064-000	50
● light green	890-264	50
● light green	890-264/071-000	50
● light green	890-264/072-000	50
● light green	890-264/073-000	50
● pink	890-284	50
● pink	890-284/081-000	50

Plug, without strain relief housing		
Color	Item No.	Pack. Unit
○ gray	890-254	50
○ gray	890-254/060-000	50
○ gray	890-254/062-000	50
○ gray	890-254/064-000	50
● light green	890-274	50
● light green	890-274/071-000	50
● light green	890-274/072-000	50
● light green	890-274/073-000	50
● pink	890-294	50
● pink	890-294/081-000	50

Additional pole markings available upon request.

Note:

All connectors for fixed installations (snap-in versions for lighting fixtures or devices, all types of PCB and distribution connectors) are factory-equipped with locking levers to ensure plugs and sockets are securely locked. Additional locking levers are only required for "flying leads" (plug/socket).

890 Series Accessories, see page 352

Approvals, see www.wago.com

Coding overview, see page 374

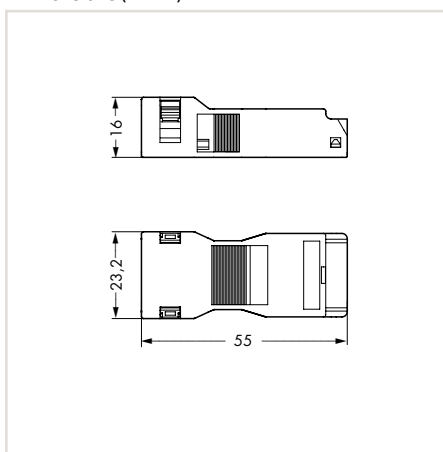
Coding	Marking	Suffix No.	Color
B	1 2 3 4		○ gray
B	N ⊕ 2L 1L	/060-000	○ gray
B	3 PE 2 1	/062-000	○ gray
B	2L ⊕ 1L L	/064-000	○ gray
B	1 2 3 4		● light green
B	U- S U+ X/Y	/071-000	● light green
B	U- U+ DI AI	/072-000	● light green
B	1 ⊕ 2 3	/073-000	● light green
B	1 2 3 4		● pink
B	1 2 5 3	/081-000	● pink

WINSTA® MINI special Strain Relief Housings, 4-Pole 890 Series

2



Dimensions (in mm):



Strain relief housing,
for 6.5 ... 10.5 mm cable diameter,
45 mm strip length

Color	Item No.	Pack. Unit
black	890-504	50
white	890-514	50

WINSTA® MINI special

Snap-In Sockets and Plugs, 4-Pole

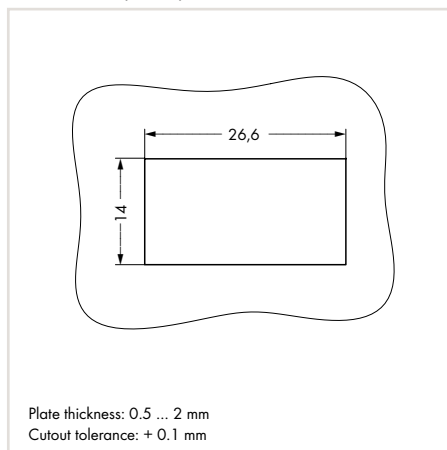
890 Series

2

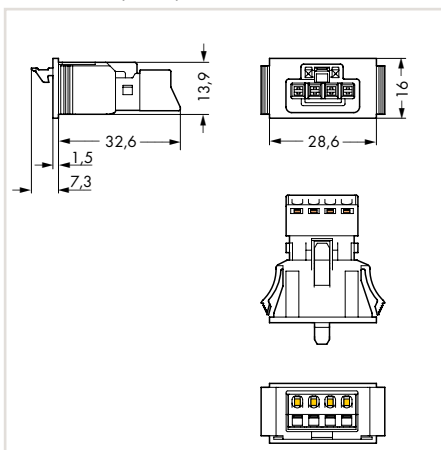
Conductor range, solid and fine-stranded	0.25 ... 1.5 mm ² / 22 ... 16 AWG
Conductor range, stranded	0.25 ... 1 mm ² / 22 ... 18 AWG
Rated voltage	400 V
Rated current	16 A (restrictions, see page 62)
Strip length	9 mm / 0.35 inch



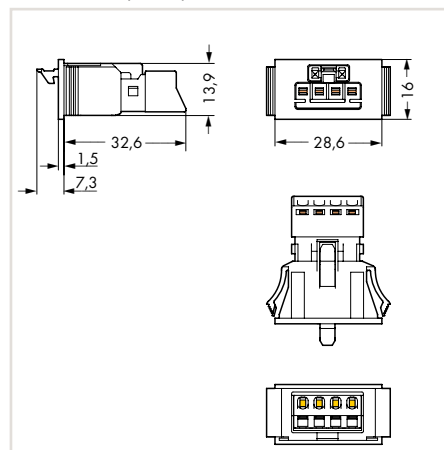
Dimensions (in mm):



Dimensions (in mm):



Dimensions (in mm):



Socket		
Color	Item No.	Pack. Unit
gray	890-744	50
gray	890-744/060-000	50
gray	890-744/062-000	50
gray	890-744/064-000	50
light green	890-764	50
light green	890-764/071-000	50
light green	890-764/072-000	50
light green	890-764/073-000	50
pink	890-784	50
pink	890-784/081-000	50

Plugs		
Color	Item No.	Pack. Unit
gray	890-754	50
gray	890-754/060-000	50
gray	890-754/063-000	50
gray	890-754/064-000	50
light green	890-774	50
light green	890-774/071-000	50
light green	890-774/072-000	50
light green	890-774/073-000	50
pink	890-794	50
pink	890-794/081-000	50

Additional pole markings available upon request.

Note:

All connectors for fixed installations (snap-in versions for lighting fixtures or devices, all types of PCB and distribution connectors) are factory-equipped with locking levers to ensure plugs and sockets are securely locked. Additional locking levers are only required for "flying leads" (plug/socket).

890 Series Accessories, see page 352

Approvals, see www.wago.com

Coding overview, see page 374

Coding	Marking	Suffix No.	Color
B	1 2 3 4		gray
B	N ⊕ 2L 1L	/060-000	gray
B	3 PE 2 1	/062-000	gray
B	2L ⊕ 1L L	/064-000	gray
B	1 2 3 4		light green
B	U- S U+ X/Y	/071-000	light green
B	U- U+ DI AI	/072-000	light green
B	1 ⊕ 2 3	/073-000	light green
B	1 2 3 4		pink
B	1 2 5 3	/081-000	pink

WINSTA® MINI special

Pluggable PCB Connectors, 4-Pole

890 Series

Rated voltage

250 V

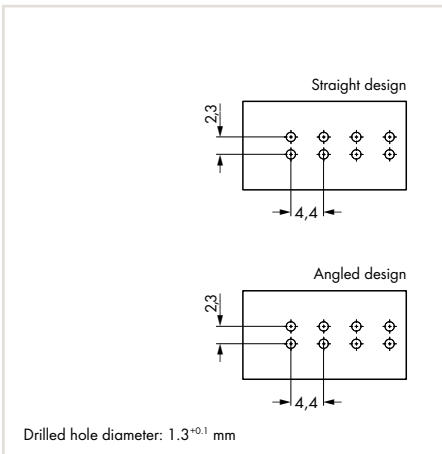
Rated current

16 A (restrictions, see page 62)

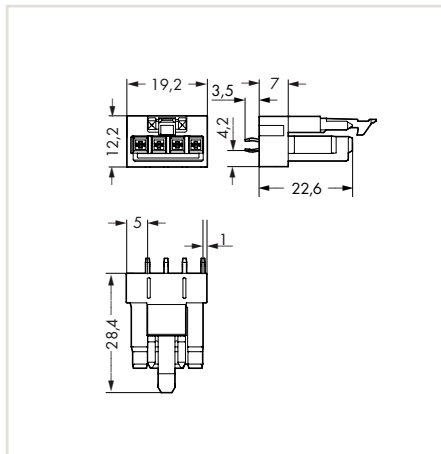
2



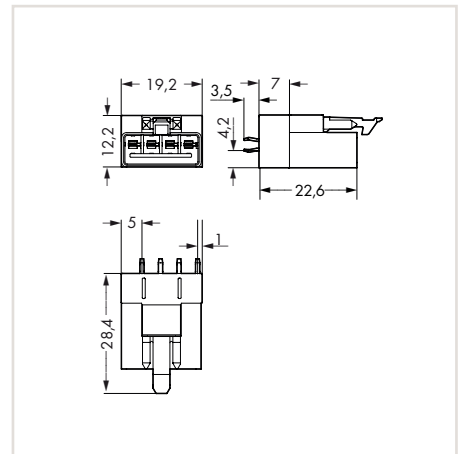
Dimensions (in mm):



Dimensions (in mm):



Dimensions (in mm):



Socket, straight

Color	Item No.	Pack. Unit
gray	890-844	100
light green	890-864	100
pink	890-884	100

Plug, straight

Color	Item No.	Pack. Unit
gray	890-854	100
light green	890-874	100
pink	890-894	100

Additional pole markings available upon request.

Note:

All connectors for fixed installations (snap-in versions for lighting fixtures or devices, all types of PCB and distribution connectors) are factory-equipped with locking levers to ensure plugs and sockets are securely locked. Additional locking levers are only required for "flying leads" (plug/socket).

890 Series Accessories, see page 352

Approvals, see www.wago.com

Coding overview, see page 374

Coding

B

B

B

Marking

1 2 3 4

1 2 3 4

1 2 3 4

Color

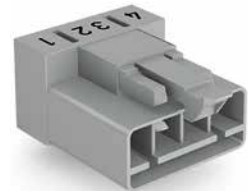
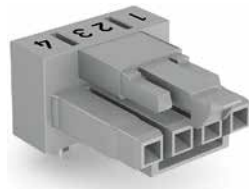
gray

light green

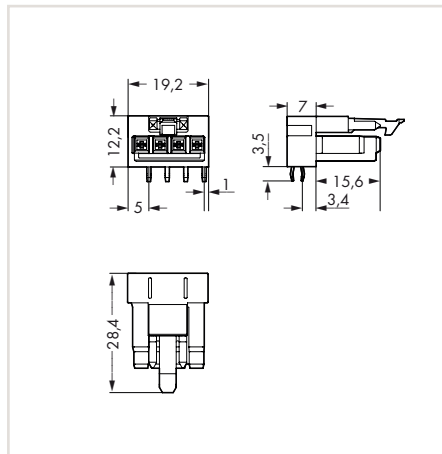
pink

Rated voltage
Rated current

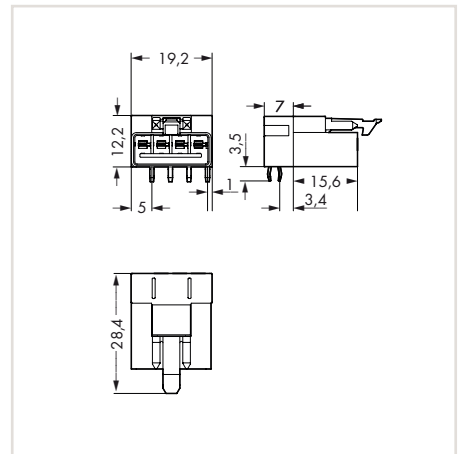
250 V
16 A (restrictions, see page 62)



Dimensions (in mm):



Dimensions (in mm):



Socket, angled		
Color	Item No.	Pack. Unit
● gray	890-844/011-000	100
● light green	890-864/011-000	100
● pink	890-884/011-000	100

Plug, angled		
Color	Item No.	Pack. Unit
● gray	890-854/011-000	100
● light green	890-874/011-000	100
● pink	890-894/011-000	100

Coding	Marking	Color
B	1 2 3 4	● gray
B	1 2 3 4	● light green
B	1 2 3 4	● pink

WINSTA® MINI special

Distribution Connectors, 4-Pole

890 Series

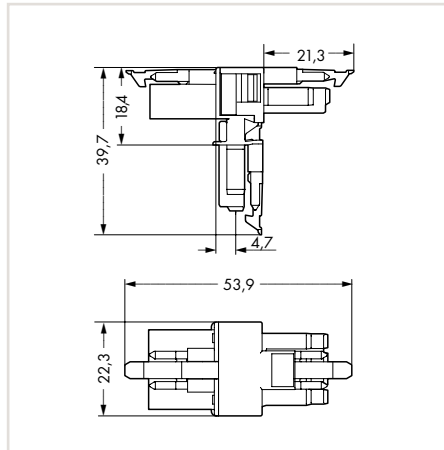
2

Rated voltage	400 V
Rated current	16 A (restrictions, see page 62)

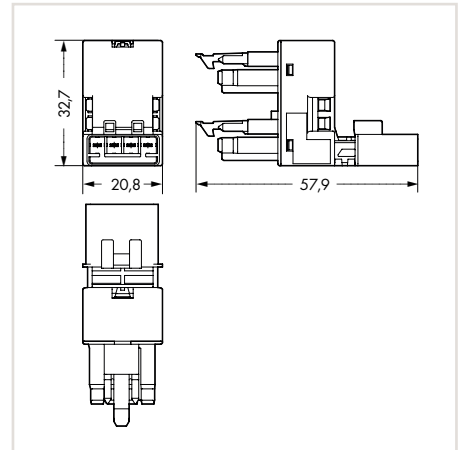
Rated voltage	400 V
Rated current	16 A (restrictions, see page 62)



Dimensions (in mm):



Dimensions (in mm):



T-distribution connector, 1 x plug/2 x socket		
Color	Item No.	Pack. Unit
gray	890-1631	50
light green	890-1632	50
pink	890-1633	50

h-distribution connector, unidirectional, plug/socket – socket		
Color	Item No.	Pack. Unit
gray	890-1681	50
light green	890-1682	50
pink	890-1683	50

T-distribution connector, 1 x plug/2 x socket, for "flying leads," with 3rd locking lever		
Color	Item No.	Pack. Unit
gray	890-1731	50
light green	890-1732	50
pink	890-1733	50

h-distribution connector, unidirectional, plug/socket – socket, for "flying leads," with 3rd locking lever		
Color	Item No.	Pack. Unit
gray	890-1781	50
light green	890-1782	50
pink	890-1783	50

Additional pole markings available upon request.

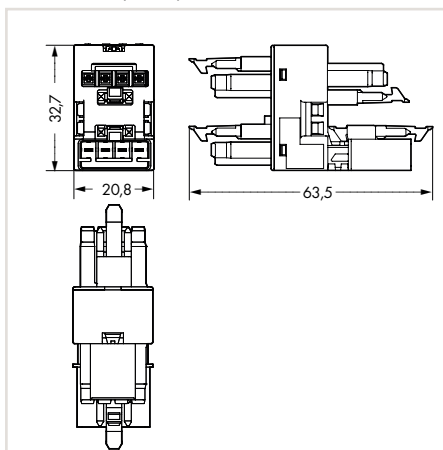
- 890 Series Accessories, see page 352
- Approvals, see www.wago.com
- Coding overview, see page 374

Coding	Marking	Color
B	1 2 3 4	gray
B	1 2 3 4	light green
B	1 2 3 4	pink

Rated voltage	400 V
Rated current	16 A (restrictions, see page 62)



Dimensions (in mm):



Distribution connector, 3-way,
1 x plug/3 x socket

Color	Item No.	Pack. Unit
○ gray	890-1734	50
● light green	890-1735	50
● pink	890-1736	50

Coding	Marking	Color
B	1 2 3 4	○ gray
B	1 2 3 4	● light green
B	1 2 3 4	● pink

WINSTA® MINI special

Cable Assemblies 4 x 1.5 mm², PVC

891 Series

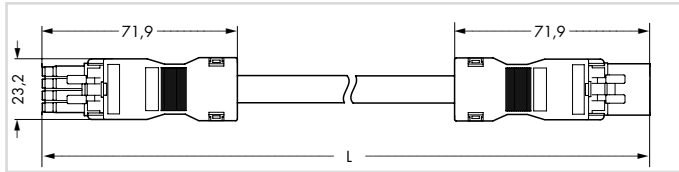
PVC

Control line: 4 x 1.5, gray

Rated voltage	400 V
Rated current	16 A (restrictions, see page 62)
Strip length	9 mm / 0.35 inch
Conductor preparation	tip-bonded



Dimensions (in mm):



Interconnecting cable, socket – plug, PVC, B-coding

Length	○ gray	● light green	● pink	Pack. Unit
1 m	891-8994/006-103	891-8994/006-105	891-8994/006-107	1
2 m	891-8994/006-203	891-8994/006-205	891-8994/006-207	1
3 m	891-8994/006-303	891-8994/006-305	891-8994/006-307	1
4 m	891-8994/006-403	891-8994/006-405	891-8994/006-407	1
5 m	891-8994/006-503	891-8994/006-505	891-8994/006-507	1
6 m	891-8994/006-603	891-8994/006-605	891-8994/006-607	1
7 m	891-8994/006-703	891-8994/006-705	891-8994/006-707	1
8 m	891-8994/006-803	891-8994/006-805	891-8994/006-807	1



Dimensions (in mm):

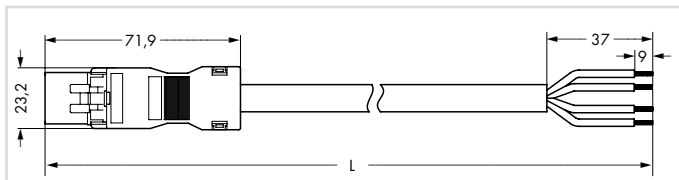


Connecting cable, socket – free end, PVC, B-coding

Length	○ gray	● light green	● pink	Pack. Unit
1 m	891-8994/106-103	891-8994/106-105	891-8994/106-107	1
2 m	891-8994/106-203	891-8994/106-205	891-8994/106-207	1
3 m	891-8994/106-303	891-8994/106-305	891-8994/106-307	1
4 m	891-8994/106-403	891-8994/106-405	891-8994/106-407	1
5 m	891-8994/106-503	891-8994/106-505	891-8994/106-507	1
6 m	891-8994/106-603	891-8994/106-605	891-8994/106-607	1
7 m	891-8994/106-703	891-8994/106-705	891-8994/106-707	1
8 m	891-8994/106-803	891-8994/106-805	891-8994/106-807	1



Dimensions (in mm):



Connecting cable, plug – free end, PVC, B-coding

Length	○ gray	● light green	● pink	Pack. Unit
1 m	891-8994/206-103	891-8994/206-105	891-8994/206-107	1
2 m	891-8994/206-203	891-8994/206-205	891-8994/206-207	1
3 m	891-8994/206-303	891-8994/206-305	891-8994/206-307	1
4 m	891-8994/206-403	891-8994/206-405	891-8994/206-407	1
5 m	891-8994/206-503	891-8994/206-505	891-8994/206-507	1
6 m	891-8994/206-603	891-8994/206-605	891-8994/206-607	1
7 m	891-8994/206-703	891-8994/206-705	891-8994/206-707	1
8 m	891-8994/206-803	891-8994/206-805	891-8994/206-807	1

Coding	Marking	Color
B	1 2 3 4	○ gray
B	1 2 3 4	● light green
B	1 2 3 4	● pink

WINSTA® MINI special

Sockets and Plugs, 5-Pole

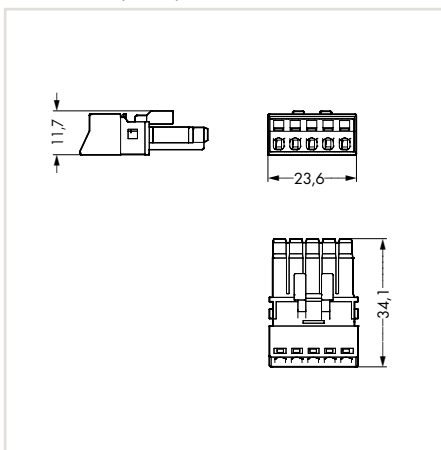
890 Series

2

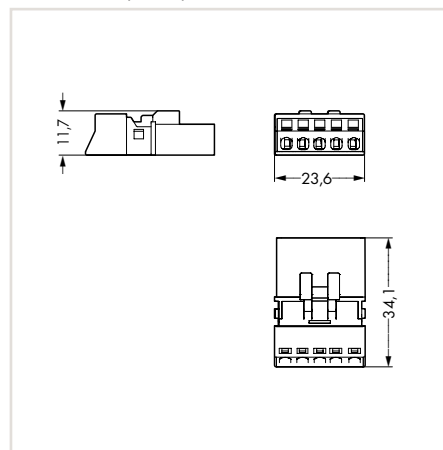
Conductor range, solid and fine-stranded	0.25 ... 1.5 mm ² / 22 ... 16 AWG
Conductor range, stranded	0.25 ... 1 mm ² / 22 ... 18 AWG
Rated voltage	400 V
Rated current	16 A (restrictions, see page 62)
Strip length	9 mm / 0.35 inch



Dimensions (in mm):



Dimensions (in mm):



Socket, without strain relief housing		
Color	Item No.	Pack. Unit
○ gray	890-245	50
○ gray	890-245/060-000	50
○ gray	890-245/062-000	50
● light green	890-265	50
● light green	890-265/073-000	50
● pink	890-285	50
● pink	890-285/080-000	50
● pink	890-285/082-000	50

Plug, without strain relief housing		
Color	Item No.	Pack. Unit
○ gray	890-255	50
○ gray	890-255/060-000	50
○ gray	890-255/062-000	50
● light green	890-275	50
● light green	890-275/073-000	50
● pink	890-295	50
● pink	890-295/080-000	50
● pink	890-295/082-000	50

Additional pole markings available upon request.

Note:

All connectors for fixed installations (snap-in versions for lighting fixtures or devices, all types of PCB and distribution connectors) are factory-equipped with locking levers to ensure plugs and sockets are securely locked. Additional locking levers are only required for "flying leads" (plug/socket).

890 Series Accessories, see page 352

Approvals, see www.wago.com

Coding overview, see page 374

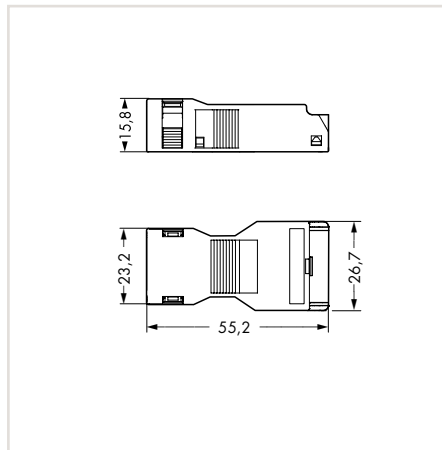
Coding	Marking	Suffix No.	Color
B	1 2 3 4 5		○ gray
B	N ⊕ L1 L2 L3	/060-000	○ gray
B	N PE 3 2 1	/062-000	○ gray
B	1 2 3 4 5		● light green
B	1 ⊕ 2 3 4	/073-000	● light green
B	1 2 3 4 5		● pink
B	N ⊕ L I- I+	/080-000	● pink
B	N ⊕ L - +	/082-000	● pink

WINSTA® MINI special Strain Relief Housings, 5-Pole 890 Series

2



Dimensions (in mm):



Strain relief housing,
for 6.5 ... 10.5 mm cable diameter,
45 mm strip length

Color	Item No.	Pack. Unit
black	890-505	50
white	890-515	50

WINSTA® MINI special

Snap-In Sockets and Plugs, 5-Pole

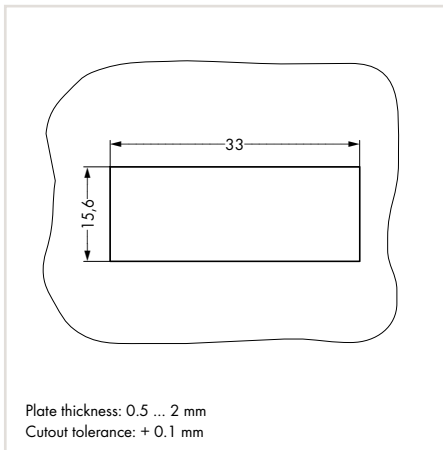
890 Series

2

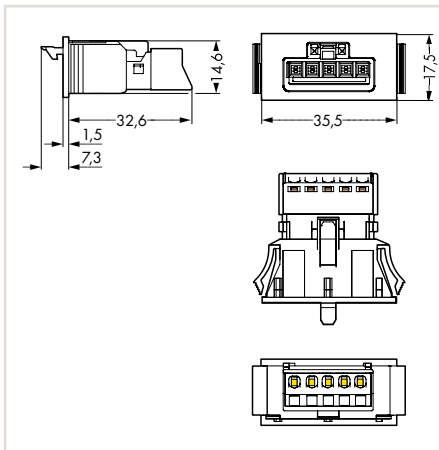
Conductor range, solid and fine-stranded	0.25 ... 1.5 mm² / 22 ... 16 AWG
Conductor range, stranded	0.25 ... 1 mm² / 22 ... 18 AWG
Rated voltage	400 V
Rated current	16 A (restrictions, see page 62)
Strip length	9 mm / 0.35 inch



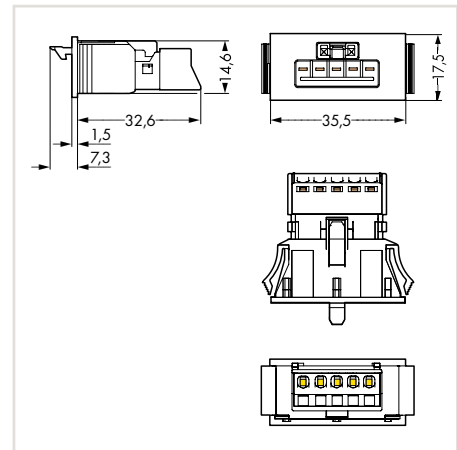
Dimensions (in mm):



Dimensions (in mm):



Dimensions (in mm):



Socket		
Color	Item No.	Pack. Unit
gray	890-745	50
gray	890-745/060-000	50
gray	890-745/062-000	50
light green	890-765	50
light green	890-765/073-000	50
pink	890-785	50
pink	890-785/080-000	50
pink	890-785/082-000	50

Plugs		
Color	Item No.	Pack. Unit
gray	890-755	50
gray	890-755/060-000	50
gray	890-755/062-000	50
light green	890-775	50
light green	890-775/073-000	50
pink	890-795	50
pink	890-795/080-000	50
pink	890-795/082-000	50

Additional pole markings available upon request.

Note:

All connectors for fixed installations (snap-in versions for lighting fixtures or devices, all types of PCB and distribution connectors) are factory-equipped with locking levers to ensure plugs and sockets are securely locked. Additional locking levers are only required for "flying leads" (plug/socket).

890 Series Accessories, see page 352

Approvals, see www.wago.com

Coding overview, see page 374

Coding	Marking	Suffix No.	Color
B	1 2 3 4 5		gray
B	N ⊕ L1 L2 L3	/060-000	gray
B	N PE 3 2 1	/062-000	gray
B	1 2 3 4 5		light green
B	1 ⊕ 2 3 4	/073-000	light green
B	1 2 3 4 5		pink
B	N ⊕ L I- I+	/080-000	pink
B	N ⊕ L - +	/082-000	pink

WINSTA® MINI special

Pluggable PCB Connectors, 5-Pole

890 Series

Rated voltage

250 V

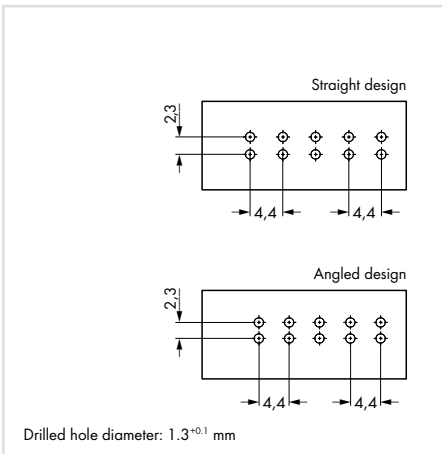
Rated current

16 A (restrictions, see page 62)

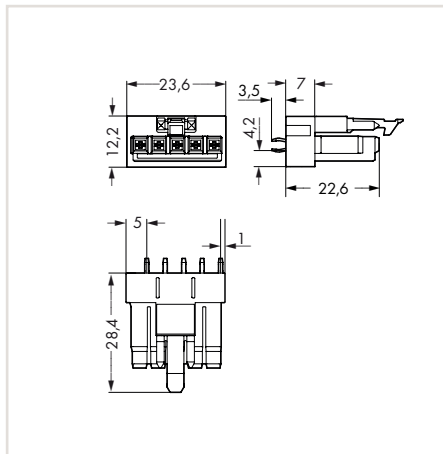
2



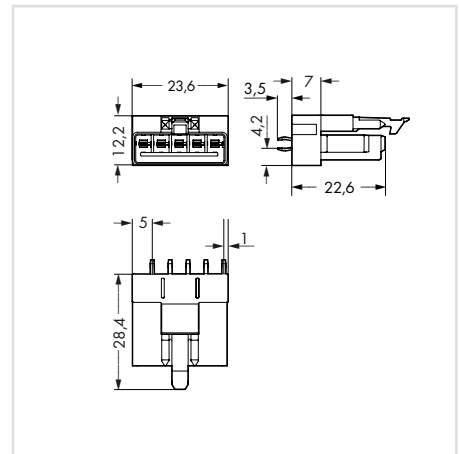
Dimensions (in mm):



Dimensions (in mm):



Dimensions (in mm):



Socket, straight

Color	Item No.	Pack. Unit
gray	890-845	100
light green	890-865	100
pink	890-885	100

Plug, straight

Color	Item No.	Pack. Unit
gray	890-855	100
light green	890-875	100
pink	890-895	100

Additional pole markings available upon request.

Note:

All connectors for fixed installations (snap-in versions for lighting fixtures or devices, all types of PCB and distribution connectors) are factory-equipped with locking levers to ensure plugs and sockets are securely locked. Additional locking levers are only required for "flying leads" (plug/socket).

890 Series Accessories, see page 352

Approvals, see www.wago.com

Coding overview, see page 374

Coding

B

B

B

Marking

1 2 3 4 5

1 2 3 4 5

1 2 3 4 5

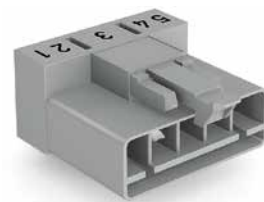
Color

gray

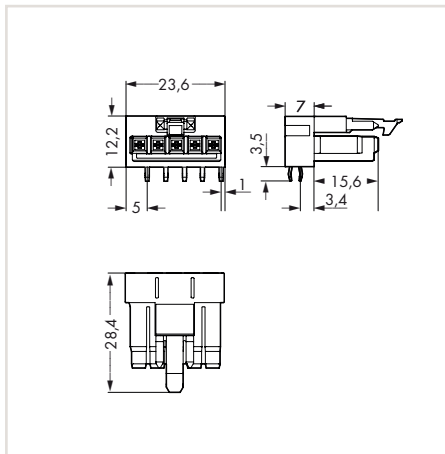
light green

pink

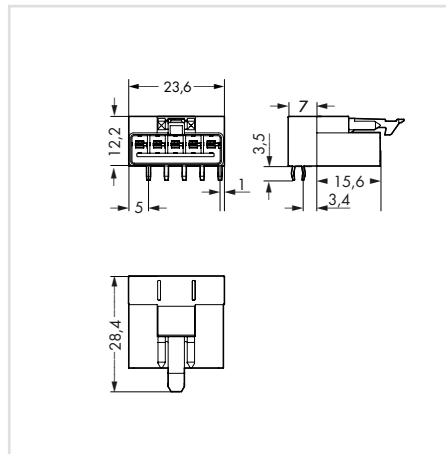
Rated voltage	250 V
Rated current	16 A (restrictions, see page 62)



Dimensions (in mm):



Dimensions (in mm):



Socket, angled		
Color	Item No.	Pack. Unit
● gray	890-845/011-000	100
● light green	890-865/011-000	100
● pink	890-885/011-000	100

Plug, angled		
Color	Item No.	Pack. Unit
● gray	890-855/011-000	100
● light green	890-875/011-000	100
● pink	890-895/011-000	100

Coding	Marking	Color
B	1 2 3 4 5	● gray
B	1 2 3 4 5	● light green
B	1 2 3 4 5	● pink

WINSTA® MINI / WINSTA® MINI special

Accessories

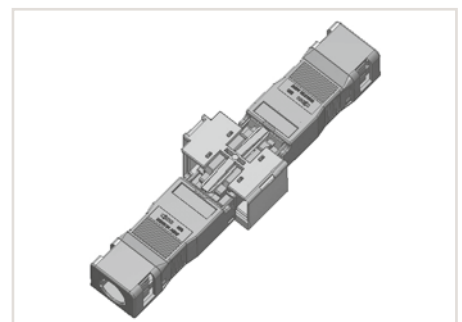
890 / 891 Series



Locking lever, for flying leads, manually operated		
Color	Item No.	Pack. Unit
black	890-101	100(50)
white	890-121	100(50)

Locking lever, for flying leads, tool operated		
Color	Item No.	Pack. Unit
black	890-111	100(50)
white	890-131	100(50)

Mounting adapter, for 2- to 5-pole for flying leads		
Color	Item No.	Pack. Unit
black	890-310	100
white	890-311	100

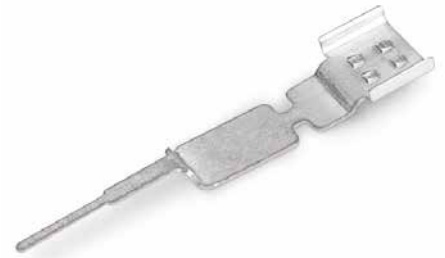


All connectors for mounted installations (snap-in versions, pluggable PCB connectors, distribution connectors) are factory-equipped with locking levers to ensure plugs and sockets are securely locked. Additional locking levers are only required for "flying leads" (plug/socket).

Locking connector via integrated lever.
Locking second connector for a secure connection.



Lockout cap, for cutout, 2-pole		
Color	Item No.	Pack. Unit
black	890-642	100
white	890-692	100



Shield connecting plate, for 3-pole plugs and sockets		
	Item No.	Pack. Unit
	890-523	50

Lockout cap, for cutout, 3-pole		
Color	Item No.	Pack. Unit
black	890-643	100
white	890-693	100

Lockout cap, for cutout, 4-pole		
Color	Item No.	Pack. Unit
black	890-644	100
white	890-694	100

Lockout cap, for cutout, 5-pole		
Color	Item No.	Pack. Unit
black	770-643	100
white	770-693	100



Seal unused cutout with lockout cap.



Connector with shield termination

WINSTA® MINI / WINSTA® MINI special**Accessories****890 / 891 Series**

Mounting plate for distribution connector, 2-pole		
Color	Item No.	Pack. Unit
black	890-1622	100
white	890-1672	100

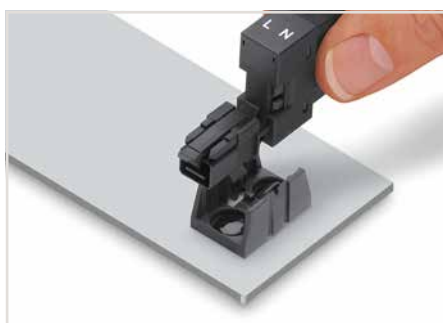


Mounting pin, for mounting plates, 5 mm Ø, 0.2 ... 1.2 mm plate thickness		
Color	Item No.	Pack. Unit
black	890-601	250

Mounting plate, for distribution connector, 3-pole		
Color	Item No.	Pack. Unit
black	890-623	100
white	890-673	100

Mounting plate, for distribution connector, 4-pole		
Color	Item No.	Pack. Unit
black	890-624	50
white	890-674	50

Mounting plate, for distribution connector, 5-pole		
Color	Item No.	Pack. Unit
black	890-625	50
white	890-675	50



The distribution connectors snap together when attached to the mounting plate.



Secure the mounting plate via pins.