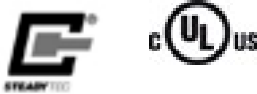
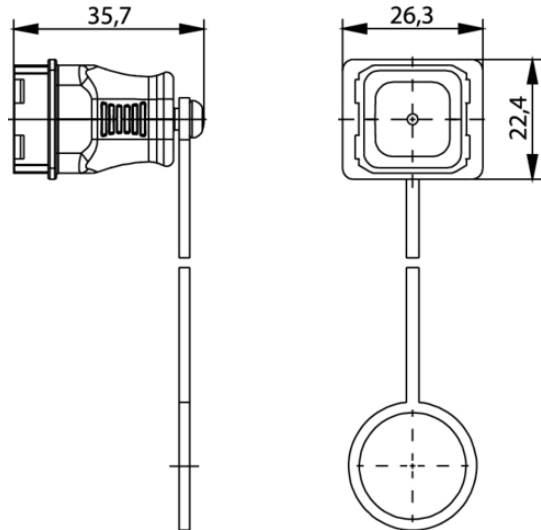


order number: H80030A0003

STX V14 plug protection cap



Technical Attributes	
Description	STX V14 plug protection cap
Remarks	plastic

### Description of the Series/Product Category

Notice: The following information refer to the series/product category as a whole. Please see the specific data sheet for specific technical information of a particular product.

For the installation of data networks as per IEC 61918, IEC 61784-5 and PROFINET system guide, Telegärtner recommends for harsh environments the Push-Pull connector of Variant 14 acc. to IEC 61076-3-117. Moreover this connector series is compliant to the requirements of AIDA (Automation Initiative of the German Automotive Industry) guaranteeing protection class IP67. The modular principle - which is used on all connectors with STEADYTEC®-Technology - allows us to offer a wide range of products. Benefit from maximum flexibility and choose the insert you need! The RJ45 inserts stand out due to high power reserves and offer transmission characteristics up to 10 Gbit Ethernet. The FO plug and bulkhead inserts are available for GOF and POF/PCF fibres and provide the most suitable solution for every application.

### Performance Characteristics

- Variant 14 acc. to IEC 61076-3-1117
- protection class IP67
- available with RJ45 Cat.6<sub>A</sub>, Cat.6 Class E<sub>A</sub>, USB or FO insert
- rugged zinc-diecast housing, nickel-plated
- plug housing suitable for cables with diameter 5-10 mm
- pre-assembled plugs and set products for simple assembly
- bulkhead version having round cutout for central screw mounting
- bulkhead version having rectangular cutout for mounting with M3 screws
- NBR aiguillette at the protection cap
- bay for marking labels