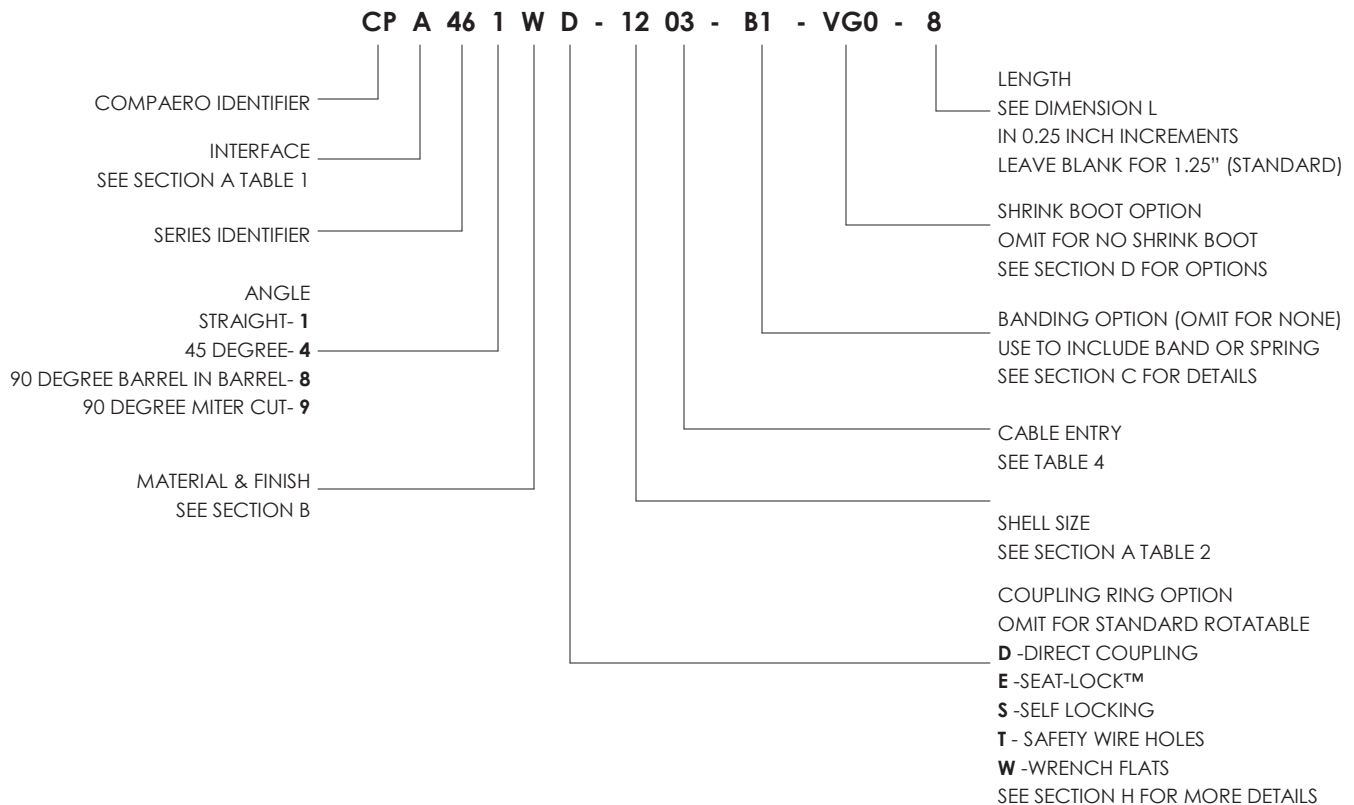




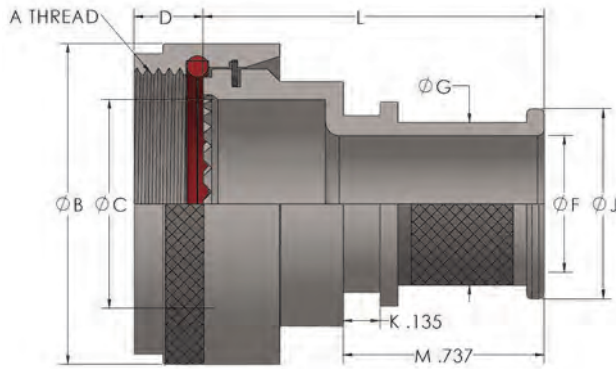
Series 46 EMI/RFI Shrink Boot Adapters allow an outer cable shield to be terminated using either an AS85049/128 Termination Band or Constant Force Spring. A heat shrink boot is then applied over the assembly to obtain a submersible cable assembly in up to 6 feet of water. This series both a robust and economical way of terminating a cable assembly.

- Notes:**
1. All dimensions are in Inches
  2. O-Ring not supplied with Interface A
  3. See Section H for torque information
  4. Finish C and G (Non-Conductive) not recommended for this Series
  5. 90 Degree 'Barrel in Barrel' also available. Contact Compaero for details
  6. If no length is specified straight adapters will be 1.25" (**Dimension L**)

**PART NUMBER BREAKDOWN**

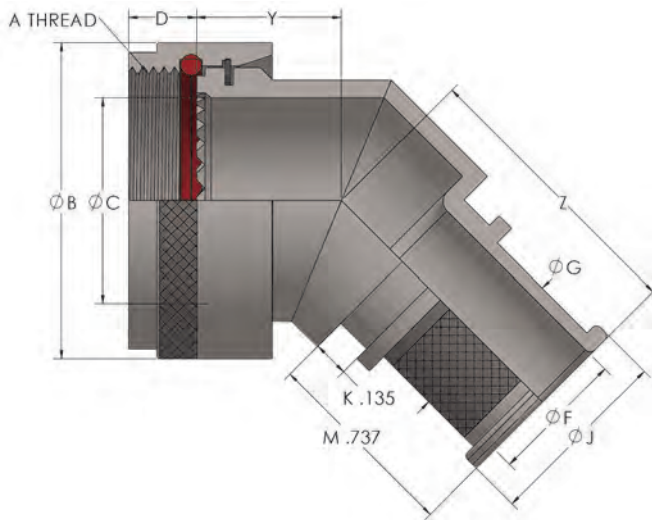


**DISCLAIMER:** All information is believed to be reliable. Readers should independently evaluate the suitability of each product for their application. Compaero makes no warranties as to the accuracy or completeness of the information herein and disclaims any liability regarding its use. Specifications are subject to change without notice. Compaero reserves the right to make changes, without notification to the customer, to processing or materials that do not affect compliance with any applicable specification. **Drawings are not to scale.**

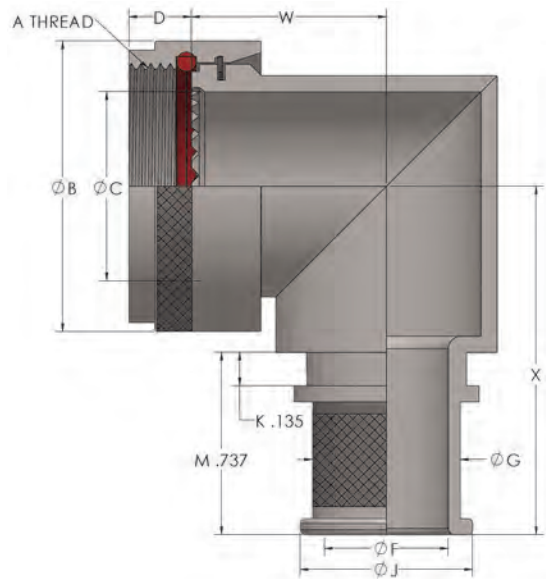


See **Section A** for A Thread, B, C and D Dimensions

**Angle 1** - Straight Rotatable Coupling



**Angle 4**  
45 Degree Miter



**Angle 9**  
90 Degree Miter



This series can be supplied with a Termination Band.  
See Section C for details.



This series can be supplied with a Constant Force Spring.  
See Section C for details.



This series can be supplied with a Shrink Boot.  
See Section D for details.

**DISCLAIMER:** All information is believed to be reliable. Readers should independently evaluate the suitability of each product for their application. Compaero makes no warranties as to the accuracy or completeness of the information herein and disclaims any liability regarding its use. Specifications are subject to change without notice. Compaero reserves the right to make changes, without notification to the customer, to processing or materials that do not affect compliance with any applicable specification. **Drawings are not to scale.**



**TABLE 3 - DIMENSIONS**

SHELL SIZE	W REF	X REF	Y REF	Z REF
8, 9	0.612	1.092	0.727	1.275
10, 11	0.675	1.119	0.831	1.340
12, 13	0.698	1.143	0.886	1.403
14, 15	0.723	1.169	0.946	1.465
16, 17	0.748	1.195	1.008	1.521
18, 19	0.767	1.215	1.052	1.592
20, 21	0.793	1.241	1.115	1.648
22, 23	0.818	1.266	1.177	1.701
24, 25	0.844	1.292	1.240	1.766
28	0.904	1.352	1.300	1.826
32	0.964	1.412	1.360	1.886
40	1.024	1.472	1.420	1.946
44	1.084	1.532	1.480	2.006

**TABLE 4 - CABLE ENTRY**

ENTRY	F REF	G REF	J REF
01	0.125	0.275	0.375
31	0.188	0.313	0.413
02	0.250	0.400	0.500
32	0.312	0.462	0.562
03	0.375	0.525	0.625
33	0.438	0.588	0.688
04	0.500	0.650	0.750
34	0.562	0.712	0.812
05	0.625	0.775	0.875
35	0.688	0.838	0.938
06	0.750	0.900	1.000
36	0.812	0.962	1.062
07	0.875	1.025	1.125
37	0.938	1.088	1.188
08	1.000	1.150	1.250
38	1.062	1.212	1.312
09	1.125	1.275	1.375
10	1.250	1.400	1.500
11	1.375	1.525	1.625
12	1.500	1.650	1.750
13	1.625	1.775	1.875
14	1.750	1.900	2.000
15	1.875	2.025	2.125
16	2.000	2.150	2.250

**DISCLAIMER:** All information is believed to be reliable. Readers should independently evaluate the suitability of each product for their application. Compaero makes no warranties as to the accuracy or completeness of the information herein and disclaims any liability regarding its use. Specifications are subject to change without notice. Compaero reserves the right to make changes, without notification to the customer, to processing or materials that do not affect compliance with any applicable specification. **Drawings are not to scale.**



COMMON (STOCKED) MATERIAL AND FINISHES			
COMPAERO FINISH CODE	AS85049 REF	MATERIAL	FINISH
F	N	Aluminum	Electroless nickel - In accordance with AMS-C-26074 or AMS2404. -65 to +200 °C
W	W	Aluminum	Cadmium - Olive drab over suitable underplate, 1000 hour salt spray -65 to +175 °C
K	S	Stainless Steel	Passivate - In accordance with AMS-QQ-P-35, AMS 2700, or ASTM A 967. -65 to + 200 °C

STYLE 1 MAX ENTRY REFERENCE CHART			
SHELL SIZE	MAX STYLE 1 ENTRY		
	INTERFACE A	INTERFACE F	INTERFACE H
8, 9	02	02	02
10, 11	03	04	03
12, 13	04	05	04
14, 15	34	35	05
16, 17	35	36	06
18, 19	06	07	07
20, 21	07	08	08
22, 23	08	09	09
24, 25	09	10	10
28	11	N/A	N/A
32	13	N/A	N/A
36	14	N/A	N/A
40	16	N/A	N/A

**DISCLAIMER:** All information is believed to be reliable. Readers should independently evaluate the suitability of each product for their application. Compaero makes no warranties as to the accuracy or completeness of the information herein and disclaims any liability regarding its use. Specifications are subject to change without notice. Compaero reserves the right to make changes, without notification to the customer, to processing or materials that do not affect compliance with any applicable specification. **Drawings are not to scale.**

Compaero manufacturers connector accessories for most circular connector series'. This section provides information on the more common interfaces. If the desired interface is not shown please contact Compaero. Table 2 contains Threads and dimensions of commonly used connector series'. If the required dimensions are not shown please contact Compaero.

**TABLE 1 - CONNECTOR INTERFACE SPECIFICATION**

Interface Code	Connector Class
A	MIL-DTL-5015 Crimp (MS3400-MS3406; MS3450-MS3459) MIL-DTL-26482 Series II (MS3470-MS3476) MIL-DTL-83723 Series I & III
B	MIL-DTL-5015 Solder (MS3100-MS3106) <b>See Table 3</b>
C	MIL-DTL-22992 Left Hand Thread
D	MIL-DTL-26482 Series I (MS3110-MS3116; MS3120-MS3126)
E	MIL-DTL-26500
F	MIL-DTL-38999 Series I & II
G	MIL-DTL-28840
H	MIL-DTL-38999 Series III & IV
J	MIL-DTL-81511 Series 1, 2, 3 & 4
K	MIL-DTL-83723 Series II
V	ITT VEAM Reverse Bayonet

**TABLE 3 - CONNECTOR INTERFACE B**

When selecting an accessory with Interface B use the chart below to specify the connector manufacturer being used. If the connector manufacturer is not known please contact Compaero. When generating a part number place the manufacturer letter found below directly after the Interface "B". Shell size of the connector accessory should match the connector shell size.

**Example: CPBA491W-1404**

The "B" indicates the connector is MIL-DTL-5015 Solder. The "A" indicates the Connector Manufacturer is Amphenol Class A. The "14" indicates the Amphenol Connector is a shell size 14.

Manufacturer Letter	Connector Manufacturer and/or Connector Class
A	Amphenol - Class A (Blue Insert)
B	Bendix - Class A, E & R
C	Cannon - Class A, E & R
R	Amphenol - Class R (Resilient Insert)

**DISCLAIMER:** All information is believed to be reliable. Readers should independently evaluate the suitability of each product for their application. Compaero makes no warranties as to the accuracy or completeness of the information herein and disclaims any liability regarding its use. Specifications are subject to change without notice. Compaero reserves the right to make changes, without notification to the customer, to processing or materials that do not affect compliance with any applicable specification. **Drawings are not to scale.**



**TABLE 2 - CONNECTOR INTERFACE TABLE**

INTERFACE (FROM TABLE 1)						DIMENSIONS FROM SERIES SPECIFICATION				
A	D	E	F	G	H	A THREAD	B REF	C REF	D REF (INT)	D REF (INT)
	08	08	08			7/16 - 28 UNEF	0.650	0.269		.188 (F)
					09 (A)	M12 X 1 - 6H	0.770	0.270	.248 (H)	
08						1/2 - 20 UNF	0.650	0.270	.305 (A)	
03	10	10	10			9/16 - 24 UNEF	0.770	0.520	.305 (A)	.188 (F)
					11 (B)	M15 X 1 - 6H	0.820	0.410	.248 (H)	
10						5/8 - 24 UNEF	0.770	0.375	.305 (A)	
	12		12			11/16 - 24 UNEF	0.890	0.645		.188 (F)
					13 (C)	M18 X 1 - 6H	0.940	0.520	.248 (H)	
12		12		11 (A)		3/4 - 20 UNEF	0.940	0.511	.305 (A)	
	14	14	14			13/16 - 20 UNEF	1.020	0.730		.188 (F)
					15 (D)	M22 X 1 - 6H	1.070	0.650	.248 (H)	
14				13 (B)		7/8 - 20 UNEF	1.020	0.585	.305 (A)	
	16	16	16			15/16 - 20 UNEF	1.150	0.855		.188 (F)
					17 (E)	M25 X 1 - 6H	1.210	0.780	.248 (H)	
16				15 (C)		1 - 20 UNEF	1.210	0.710	.305 (A)	
18	18	18	18			1 1/16 - 18 UNEF	1.230	0.789	.305 (A)	.188 (F)
					19 (F)	M28 X 1 - 6H	1.360	0.880	.248 (H)	
					17 (D)	1 1/8 - 18 UNEF	1.360	0.810		
20	20	20	20			1 3/16 - 18 UNEF	1.360	0.914	.305 (A)	.188 (F)
					21 (G)	M31 X 1 - 6H	1.480	1.010	.248 (H)	
					19 (E)	1 1/4 - 18 UNEF	1.530	0.946		
22	22	22	22			1 5/16 - 18 UNEF	1.480	1.039	.305 (A)	.188 (F)
					23 (H)	M34 X 1 - 6H	1.600	1.150	.248 (H)	
24	24	24	24	23 (F)		1 7/16 - 18 UNEF	1.730	1.154	.305 (A)	.188 (F)
					25 (J)	M37 X 1 - 6H	1.700	1.260	.248 (H)	
61						1 1/2 - 18 UNEF	1.670	1.194	.305 (A)	
					25 (G)	1 9/16 - UNEF	1.820	1.222		
28						1 3/4 - 18 UNS	1.970	1.389	.467 (A)	
					29 (H)	1 7/8 - 16 UN	2.190	1.422		
32						2 - 18 UNS	2.220	1.635	.467 (A)	
					33 (J)	2 1/16 - 16 UNS	2.440	1.672		
36						2 1/4 - 16 UN	2.470	1.850	.467 (A)	
40						2 1/2 - 16 UN	2.720	2.065	.467 (A)	
44						2 3/4 - 16 UN		2.320	.467 (A)	
48						3 - 16 UN		2.570	.467 (A)	

**DISCLAIMER:** All information is believed to be reliable. Readers should independently evaluate the suitability of each product for their application. Compaero makes no warranties as to the accuracy or completeness of the information herein and disclaims any liability regarding its use. Specifications are subject to change without notice. Compaero reserves the right to make changes, without notification to the customer, to processing or materials that do not affect compliance with any applicable specification. **Drawings are not to scale.**

Compaero employs traceable methods when sourcing and using material. All manufacturer certifications are kept on file and are available upon request. For more information please contact Compaero.

<b>Component</b>	<b>Material</b>
Barrels	Aluminum 6061 or 300 Series Stainless Steel
Barrel Castings	Aluminum Alloy A380
Braid / Shield	Tinned Copper per QQB-575
Clamp Bodies	Aluminum 6061 or 300 Series Stainless Steel
Clamp Grommets, Bushings	Neoprene, Silicone or Fluorosilicone
Clamp Nuts	300 Series Stainless Steel
Clamp Saddles	Aluminum 6061 or 300 Series Stainless Steel
Clamp Hardware	300 Series Stainless Steel
Coupling Rings	Aluminum 6061 or 300 Series Stainless Steel
E-Nuts	Aluminum 6061 or 300 Series Stainless Steel
Ferrules	Aluminum 6061 or 300 Series Stainless Steel
Followers	Aluminum 6061 or 300 Series Stainless Steel
O-Rings	Silicone
Retaining Rings	300 Series Stainless Steel
Self Locking Clips	Non Corrosive material

**DISCLAIMER:** All information is believed to be reliable. Readers should independently evaluate the suitability of each product for their application. Compaero makes no warranties as to the accuracy or completeness of the information herein and disclaims any liability regarding its use. Specifications are subject to change without notice. Compaero reserves the right to make changes, without notification to the customer, to processing or materials that do not affect compliance with any applicable specification. **Drawings are not to scale.**





Table 1 shows common Compaero finishes and their Mil-Spec equivalents (where applicable).  
**Additional finishes are available upon request.**

**TABLE 1 - Common Material and Finish Codes**

Compaero Ordering Code	AS85049	Material	Finish
C	A	Aluminum	Black anodize - In accordance with Class 2 of AMS-A-8625, Type II. -65 to +175 °C
F	N	Aluminum	Electroless nickel - In accordance with AMS-C-26074 or AMS2404. -65 to +200 °C
H	N/A	Aluminum	Clear Cadmium - SAE-AMS-QQ-P-416 Type II Class 2 over electroless nickel, 1000 Hour Salt Spray, Conductive -65 to +175°C
W	W	Aluminum	Cadmium, Olive drab over suitable underplate, 1000 hour salt spray -65 to +175 °C
P	X	Aluminum	Nickel fluorocarbon polymer. Nickel with fluorocarbon polymer additives over a suitable underplate to withstand
D	Y	Aluminum	Pure dense electrodeposited aluminum in accordance with MIL-DTL-83488, Type II, to withstand 500 hours of salt
T	Z	Aluminum	Zinc nickel, Black, in accordance with ASTM B841 over suitable underplate to withstand 1000 hours of salt spray testing.
Y	N/A	Aluminum	Zinc-Cobalt, Olive Drab, ASTM B 840 Grade 6 Type D over electroless nickel, 350 Hour Salt Spray, Conductive -65 to +175°C
Z	N/A	Aluminum	Zinc-Cobalt, Black, ASTM B 840 Grade 6 Type D over electroless nickel 350 Hour Salt Spray, Conductive -65 to +175°C
KB	B	Stainless Steel	Black cadmium - In accordance with AMS-QQ-P-416, Type II, Class 3. -65 to +175 °C
K	S	Stainless Steel	Passivate - In accordance with AMS-QQ-P-35, AMS 2700, or ASTM A 967. -65 to + 200 °C
KP	XS	Stainless Steel	Nickel fluorocarbon polymer. Nickel with fluorocarbon polymer additives over a suitable underplate to withstand
KD	YS	Stainless Steel	Pure dense electrodeposited aluminum in accordance with MIL-DTL-83488, Type II
KT	ZS	Stainless Steel	Zinc nickel in accordance with ASTM B841 over suitable underplate to withstand 1000 hours of salt spray testing
KN	N/A	Stainless Steel	Electrodeposited Nickel per SAE-AMS-QQ-N-290 Class 1 Grade F
M	T	Composite	Composite material without plating
MJ	J	Composite	Olive drab cadmium plate in accordance with AMS-QQ-P-416. To withstand 2000 hour salt spray. Finish shall be electrically conductive. -65 to + 175 °C
ML	L	Composite	Cadmium (olive drab) over electroless nickel, selective plating -65 to +175 °C
MM	M	Composite	Electrically conductive electroless nickel plating. Finish shall withstand 2000 hour salt spray. -65 to +200 °C

**DISCLAIMER:** All information is believed to be reliable. Readers should independently evaluate the suitability of each product for their application. Compaero makes no warranties as to the accuracy or completeness of the information herein and disclaims any liability regarding its use. Specifications are subject to change without notice. Compaero reserves the right to make changes, without notification to the customer, to processing or materials that do not affect compliance with any applicable specification. **Drawings are not to scale.**



### M85049/128 (AS85049/128) Welded Termination Bands

Compaero is a QPL'd manufacturer of AS85049/128 Termination Bands. These bands, formed from 300 series stainless steel, utilize either a one-step (stamped buckle) or two-step (welded buckle) termination method to terminate shield to an adapter. Termination bands are available in standard length, mini length (and width) and extended length. See the table below for dimensional data.

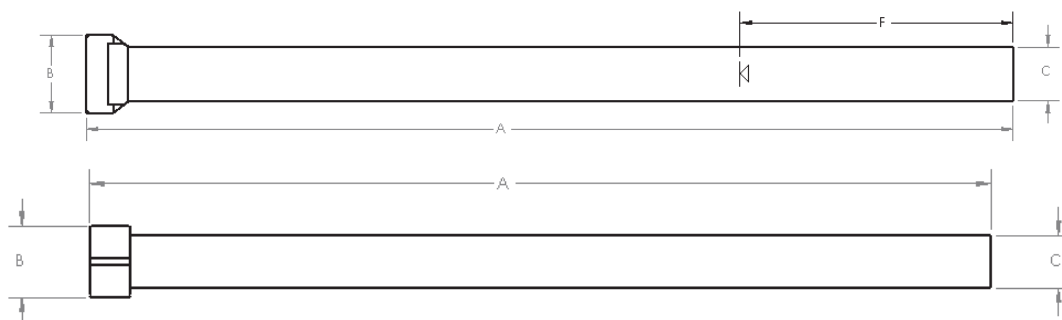
**For tooling information and installation instructions see Section J.**



**Stamped Buckle**



**Welded Buckle**



**STAINLESS STEEL TERMINATION BANDS**

COMPAERO ORDERING CODE	TERMINATION BAND PART NUMBER	DESCRIPTION	A ± .060	B ± .031	C ± .010	F REF
W	M85049/128-1	STANDARD, WELDED BUCKLE	14.000	0.328	0.245	-
W1	M85049/128-2	PRE-COILED STANDARD, WELDED	-	-	-	-
B	M85049/128-3	STANDARD, STAMPED BUCKLE	14.256	0.350	0.250	2.031
B1	M85049/128-4	PRE-COILED STANDARD, STAMPED	-	-	-	-
N	M85049/128-5	MICRO, WELDED	9.500	0.198	0.118	-
N1	M85049/128-6	PRE-COILED MICRO, WELDED	-	-	-	-
M	M85049/128-7	MICRO, STAMPED	8.125	0.195	0.120	2.031
M1	M85049/128-8	PRE-COILED MICRO, STAMPED	-	-	-	-
X	CPTB-222	MICRO EXTENDED LENGTH, WELDED	14.250	0.198	0.118	-
X1	CPTB-222-1	PRE-COILED MICRO EXTENDED LENGTH	-	-	-	-

**DISCLAIMER:** All information is believed to be reliable. Readers should independently evaluate the suitability of each product for their application. Compaero makes no warranties as to the accuracy or completeness of the information herein and disclaims any liability regarding its use. Specifications are subject to change without notice. Compaero reserves the right to make changes, without notification to the customer, to processing or materials that do not affect compliance with any applicable specification. **Drawings are not to scale.**

**Stainless Steel Constant Force Spring Band Option**

Spring bands are re-usable and self tensioning to secure both overall and individual braid termination. The spring is easy to install and requires no tooling while providing a high level of tensile strength to the assembly. The constant force springs are suitable for corrosive environments and are not affected by vibration, shock or extreme temperatures. Use Compaero Order Code 'S' to have a constant spring band included with the adapter. Compaero will determine the appropriate size needed based on the Cable Entry called out on the part number.

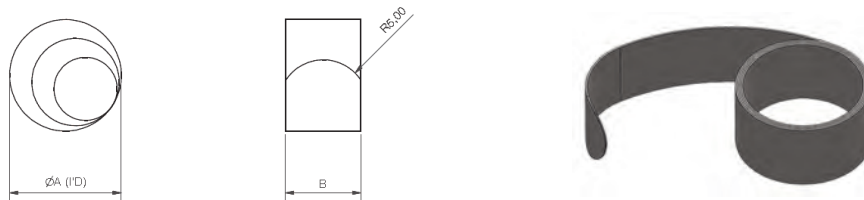


TABLE I - STAINLESS STEEL SPRING BAND				
COMPAERO ORDER CODE	HELLERMANN SPRING BAND	A MAX	B +/- 0.2	URNS +/- 0.25
S	HE050	.295 (7.5)	.374 (9.5)	
S	HE100	.315 (8.0)	.374 (9.5)	4.5
S	HE200	.504 (12.8)	.374 (9.5)	3
S	HE300	.705 (17.9)	.374 (9.5)	4.25
S	HE400	.858 (21.8)	.374 (9.5)	3.5

**Memory Ring Option (See Series 49 for part number breakdown)**

The memory ring adapter utilizes a memory ring to terminate the overall shield to the adapter. The memory ring is a low-profile, high-strength, shape-memory-alloy shield-termination device available in many sizes to accommodate various entry sizes and shield configurations. Memory ring adapters are ideal for lightweight aerospace applications requiring repeated high-to-low temperature cycles.



**AI** = Ring accommodates a single 36 AWG braid per QQB-575.

**BI** = Ring accommodates a single 36 AWG braid or double 36 AWG braids per QQB-575

MEMORY RING SPECIFICATIONS						
COMPAERO PART NUMBER	USED WITH CABLE ENTRY SIZE	ADAPTER 'G' DIA	PART NUMBER (TYPE AI)		PART NUMBER (TYPE BI)	
			END CPTR PART NUMBER WITH AI	RECOVERED	END CPTR PART NUMBER WITH BI	RECOVERED
CPTRxxAI CPTRxxBI	SEE SERIES 49	SEE SERIES 49	AS SUPPLIED	RECOVERED	AS SUPPLIED	RECOVERED
CPTR04	02	0.373	.397	.379	.416	.398
CPTR05	32	0.435	.460	.440	.479	.458
CPTR06	03	0.498	.523	.499	.548	.523
CPTR07	33	0.560	.586	.559	.606	.578
CPTR08	04	0.623	.650	.620	.670	.639
CPTR10	05	0.747	.782	.744	.802	.763
CPTR12	06	0.872	.912	.867	.931	.886
CPTR14	07	0.997	1.040	.988	1.060	1.007
CPTR16	08	1.122	1.171	1.111	1.191	1.129
CPTR18	09	1.247	1.301	1.234	1.320	1.252
CPTR20	10	1.372	1.430	1.357	1.450	1.376
CPTR22	11	1.495	1.543	1.463	1.561	1.481
CPTR24	12	1.620	1.673	1.587	1.691	1.605


**DISCLAIMER:** All information is believed to be reliable. Readers should independently evaluate the suitability of each product for their application. Compaero makes no warranties as to the accuracy or completeness of the information herein and disclaims any liability regarding its use. Specifications are subject to change without notice. Compaero reserves the right to make changes, without notification to the customer, to processing or materials that do not affect compliance with any applicable specification. **Drawings are not to scale.**

Easily kit Compaero Adapters with **HellermannTyton** Shrink Boots. This section details the part numbering system and options. To specify a shrink boot use this section in conjunction with the desired series' part number development.

**The Specific shrink boot size is not needed, Compaero will kit the appropriate size with the Cable Entry of the adapter ordered.**

If the shrink boot required is not listed below contact Compaero (or go to [www.compaero.com](http://www.compaero.com)) to order it separately. Shrink Boots are kitted with Compaero Adapters by using a combination of the following three steps:

EXAMPLE: **CPA461W-1404B- V G 0 - 8**



**TABLE 1 - Shrink Boot Type**

COMPAERO ORDER CODE	HELLERMANN TYTON SHRINK BOOT SERIES	STYLE	CABLE ENTRY RANGE	DESCRIPTION
<b>A</b>	313C722 to 774	Multi angle	01 - 16	Convuluted boot, low profile, with adapter lip
<b>B</b>	313F322 to 396	Straight	02 - 16	Straight boot, low profile, with adapter lip
<b>C</b>	333F322 to 385	Right Angle	02 - 16	90 Degrees, low profile with adapter lip
<b>V</b>	150 Series (standard length)	Straight	02 - 16	Bottle shape with rib, VG Style (with eyelet)
<b>E</b>	100 Series with lip	Straight	02 - 16	Bottle shape with rib, MIL Style
<b>F</b>	120 Series	Straight	01 - 34	Bottle Shape, small diameter wire or cable
<b>G</b>	170 Series	Straight	03 - 12	Bottle shape with rib, for partially loaded wire bundles
<b>H</b>	190 Series	Straight	03 - 04	Bottle shape with external ribs
<b>J</b>	1100 Series low-profile	Right Angle	32 - 16	Used on airborne harnesses. Compact and low-profile
<b>K</b>	1100 Series with lip	Right Angle	32 - 16	Standard right angle lipped shrink boot
<b>L</b>	1100 Series low-profile	Right Angle	32 - 16	Used on airborne harnesses. Compact and low-profile
<b>M</b>	130 Series	Straight	32 - 16	Long outlet shape, low profile MIL Style
<b>N</b>	1100 Series high shrink ratio	Right Angle	33 - 13	For connectors with small cable diameters
<b>P</b>	1750 Series	Straight	34 - 16	Graduated Strain Relief, NAVSEA & Rail applications
<b>R</b>	200 Series (in-line)	Straight	02 - 16	2 way outlet, in-line
<b>S</b>	300 Series (in-line)	Straight	03 - 16	3 way outlet, in-line
<b>T</b>	400 Series (in-line)	Straight	03 - 16	4 way outlet, in-line

Highlighted items are generally kept in stock and readily available

**HellermannTyton**

DISCLAIMER: All information is believed to be reliable. Readers should independently evaluate the suitability of each product for their application. Compaero makes no warranties as to the accuracy or completeness of the information herein and disclaims any liability regarding its use. Specifications are subject to change without notice. Compaero reserves the right to make changes, without notification to the customer, to processing or materials that do not affect compliance with any applicable specification. Drawings are not to scale.

Highlighted items are generally kept in stock and readily available

COMPAERO ORDER CODE	MATERIAL (HELLERMANN TYTON CODE)	TEMPERATURE RANGE (°C)	DESCRIPTION
<b>B</b>	B7	-55 to +135	Semi-rigid flame retarded polyolefin
<b>G</b>	G	-75 to +150	Fluid resistant elastomer
<b>J</b>	J	-55 to +135	Flexible polyolefin
<b>H</b>	H	-55 to +105	Flexible limited fire hazard material
<b>L</b>	L	-55 to +200	Flame retarded fluorocarbon
<b>6</b>	6	-55 to +120	Modified elastomer blend (use with shrink boot series A, B or C only)
<b>8</b>	8	-55 to +150	Viton-polyester polymer blend (use with shrink boot series A, B or C only)
<b>9</b>	9	-55 to +120	Modified elastomer blend (use with shrink boot series A, B or C only)

COMPAERO ORDER CODE	ADHESIVE (HELLERMANN TYTON CODE)	TEMPERATURE RANGE	DESCRIPTION
<b>0</b>	NO ADHESIVE	N/A	-
<b>1</b>	WM250	-50° to 80° C	Hot melt adhesive, halogen free (pre-applied to boot)
<b>2</b>	W24	-75° to 200° C	Factory coated high performance epoxy
<b>3</b>	W8	-55° to 120° C	Modified polyimide hot melt adhesive (pre-applied to boot)
<b>4</b>	HMT-200	-55° to 105° C	Hot melt tape (appropriate length kitted with shrink boot and adapter)
<b>5</b>	TSA-200	-55° to 125° C	Thermoset adhesive (appropriate length kitted with shrink boot and adapter) use with -8 & -9 Shrink boots

**More about Hellermann/Tyton Shrink Boots and Shapes**

HellermannTyton heat shrink molded shapes combine the advantages of quick, easy installation with high electric strength, mechanical toughness and superior chemical resistance. Their products offer important functional and cost saving benefits for electrical and electronic applications ranging from insulation and protection of individual components to fabrication of complete inter-connecting cable harness assemblies.

Strain-relieving boots, transition and connector backshell covers, as well as other specialized shapes are available in a wide range of sizes and options. HellermannTyton's extensive product line includes low profile, bulbous and lipped types for use on circular and D-type connectors as well as complex multi-way transitions. Only a minimum number of shapes are needed to cover a full range of applications as the products have high shrink ratios of up to 5:1.

The use of heat shrink molded shapes in conjunction with HellermannTyton heat shrink tubing makes it easy to fabricate complete jacketed wire and cable harnessing and interconnection systems of the highest quality. Heat shrink shapes are available for the complete range of electrical and electronic harnessing applications. They can be sealed with special adhesives and encapsulants to ensure the proper degree of mechanical support, strain relief and environmental protection. Encapsulating the complete harnessing and interconnection system to the desired configuration is easily and neatly accomplished, with minimum weight and bulk.



DISCLAIMER: All information is believed to be reliable. Readers should independently evaluate the suitability of each product for their application. Compaero makes no warranties as to the accuracy or completeness of the information herein and disclaims any liability regarding its use. Specifications are subject to change without notice. Compaero reserves the right to make changes, without notification to the customer, to processing or materials that do not affect compliance with any applicable specification. Drawings are not to scale.



Shell Size	Connector Accessories onto Connector Threads Torque Values are in Inch-Pounds			
	MIL-DTL-5015 (MS3100) MIL-DTL-26500 MIL-DTL-81511	MIL-DTL-26482 S1 MIL-DTL-38999 S1 & S2	MIL-DTL-5015 (MS3400) MIL-DTL-26482 S2 MIL-DTL-28840	MIL-DTL-38999 S3 & S4 MIL-DTL-83723 MIL-DTL-22992
08, 09	30 - 40	30 - 40	51 - 61	51 - 61
10, 11	30 - 40	30 - 40	71 - 81	71 - 81
12, 13	35 - 45	35 - 45	103 - 113	103 - 113
14, 15	35 - 45	35 - 45	111 - 121	111 - 121
16, 17	35 - 45	35 - 45	111 - 121	111 - 121
18, 19	35 - 45	35 - 45	111 - 121	111 - 121
20, 21	75 - 85	75 - 85	131 - 141	131 - 141
22, 23	75 - 85	75 - 85	131 - 141	131 - 141
24, 25	75 - 85	75 - 85	131 - 141	131 - 141
28	115 - 125	115 - 125	143 - 153	143 - 153
32	115 - 125	115 - 125	143 - 153	143 - 153
36	115 - 125	115 - 125	143 - 153	143 - 153
40	155 - 165	155 - 165	159 - 169	159 - 169
44	155 - 165	155 - 165	159 - 169	159 - 169
48	155 - 165	155 - 165	159 - 169	159 - 169

Cable Clamps onto Backshells Torque Values are in Inch-Pounds	
Clamp Entry Size	Torque Value in Inch-Pounds
01	35 - 40
02	35 - 40
03	35 - 55
04	35 - 55
05	35 - 55
06	40 - 60
07	40 - 60
08	40 - 60
09	80 - 100
10	80 - 100
11	80 - 100
12	80 - 100

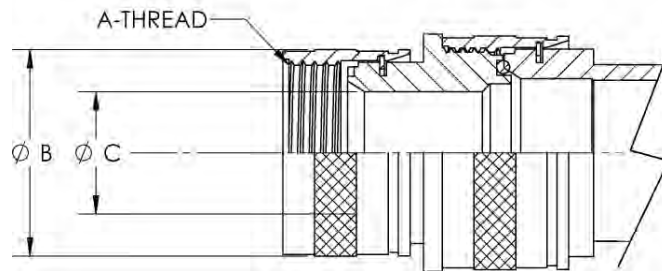
Cable Clamp Hardware (Screws)	
Thread	Torque Value in Inch-Pounds
2-56	1.5 - 2.5
4-40	3.5 - 4.5
6-32	5.0 - 7.0
8-32	7.0 - 9.0
10-32	9.0 - 11.0
1/4 - 20	11.0 - 13.0

**DISCLAIMER:** All information is believed to be reliable. Readers should independently evaluate the suitability of each product for their application. Compaero makes no warranties as to the accuracy or completeness of the information herein and disclaims any liability regarding its use. Specifications are subject to change without notice. Compaero reserves the right to make changes, without notification to the customer, to processing or materials that do not affect compliance with any applicable specification. **Drawings are not to scale.**

### Style 2 Coupling Rings

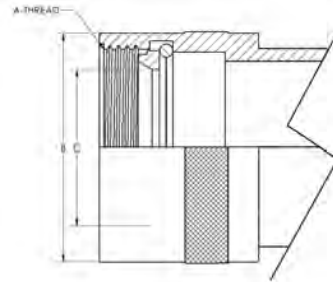
When the specified cable entry exceeds dimension C on the connector interface side, Style 2 will be used. Style 2 adapters will maintain environmental sealing and EMI/RFI shielding (if specified in the series). The specified overall length on a Style 2 adapter will be increased by 1.25" maximum, however, will be kept as minimal as possible. To specify a one piece adapter (Style 1 when Style 2 should be used) place a modification code -014 at the end of the part number when ordering.

**Modification Code Example:** CPA461W-1410-VG0-014



### Direct Coupling Rings (Option D)

Direct coupling rings can be specified on most Compaero adapters and backshells. Below is a diagram of a direct coupling ring when called out on a straight adapter or backshell. When specifying direct coupling on 45 and 90 degree parts a screw in adapter will be supplied.



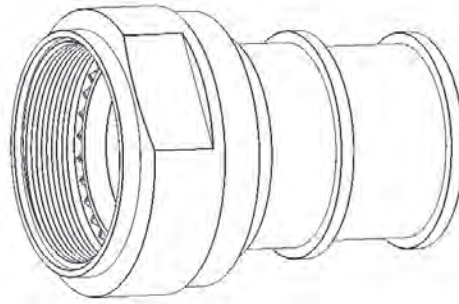
### Safety Wire Holes (Option T)

Safety wire holes can be specified on standard rotatable coupling rings to use with safety wire after installation. Safety wire ensures the coupling ring will not un-couple during shock and/or vibration. These are common on AS85049 accessories. When this option is specified the coupling ring will have 3 equally spaced wire holes (120 degrees apart). Safety Wire Holes are sufficient to accommodate 0.020 inch wire.



**Wrench Flat Coupling Rings (Option W)**

Common on most TACOM adapters, wrench flats are an available option on most Compaero adapters and backshells. Wrench flats allow for an easier way of screwing on the coupling ring (with a wrench) when working in tight spaces. For specifications on specific wrench flat dimensions (based on shell size and connector series) please contact Compaero.



**Self-Locking Coupling Rings, Detent (Option S)**

Detent style self locking feature a ratcheting coupling ring using non corrosive clips located within the coupling ring. Many AS85049 specifications specify this detent style self locking coupling ring making this one of the most popular ways of achieving a self locking adapter or backshell.

**Seat-Lock™ Coupling Rings, Non-Detent Self-Locking (Option E)**

Using a spring loaded retaining ring, Compaero Seat-Lock™ coupling rings are a non detent way to achieve self locking. This option also ensures that the accessory teeth of the connector mate properly with the teeth on the adapter or backshell by applying constant force between the two. The Compaero Seat-Lock™ option is an excellent choice if an easy, economical self locking solution is required.



**How To Order:**

CPA461WD-1203-B1-VG0-8

- COUPLING RING OPTION
- OMIT FOR STANDARD ROTATABLE
- D** -DIRECT COUPLING
- E** -SEAT-LOCK™
- S** -SELF LOCKING
- T** - SAFETY WIRE HOLES
- W** -WRENCH FLATS

**DISCLAIMER:** All information is believed to be reliable. Readers should independently evaluate the suitability of each product for their application. Compaero makes no warranties as to the accuracy or completeness of the information herein and disclaims any liability regarding its use. Specifications are subject to change without notice. Compaero reserves the right to make changes, without notification to the customer, to processing or materials that do not affect compliance with any applicable specification. Drawings are not to scale.