

TG69 Soft Jaw Pliers, TG80 Tool Kit and TG82 Strap Wrench



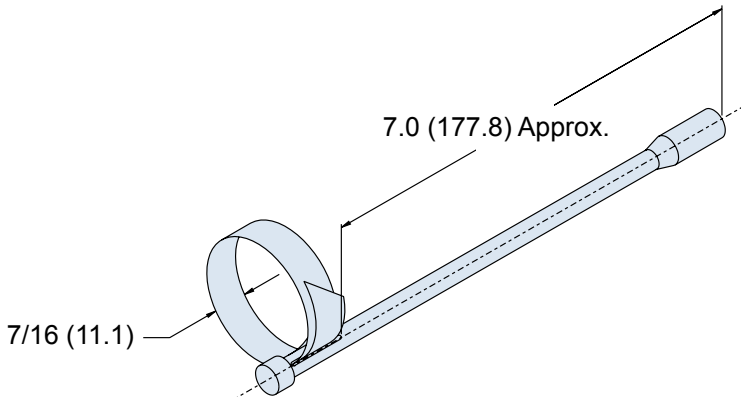
TG82

Strap Wrench

2.50 (63.5) Max Capacity
(1/4 Drive)

Note: The replacement
strap part number is
G62748-11.

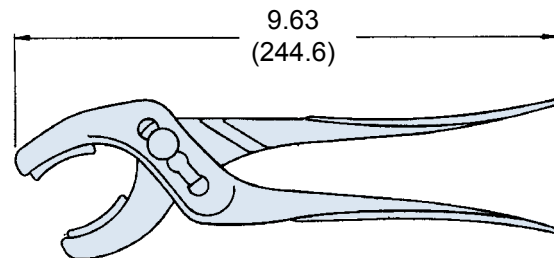
Consult factory for
other lengths.



NOTE: Not recommended for composite coupling nuts (use 600-091 or 600-157)

TG69

Soft Jaw Pliers



NOTE: Not recommended for composite coupling nuts (use 600-091 or 600-157)

TG80 Tool Kit

The TG80 Tool Kit is designed for field use with circular electrical connectors. The products included with this kit fit most connectors covered by Military Specifications, and are used for holding during assembly and disassembly of rear clamp and adapter hardware, and to facilitate connector field repairs and servicing.

Kit includes 2 TG70 Strap Wrenches, a pair of TG69 Soft Jaw Pliers, a set of parallel jaw pliers and instructions.

Also available: Tool kits per MIL-T-83507. Please consult factory for ordering information.

