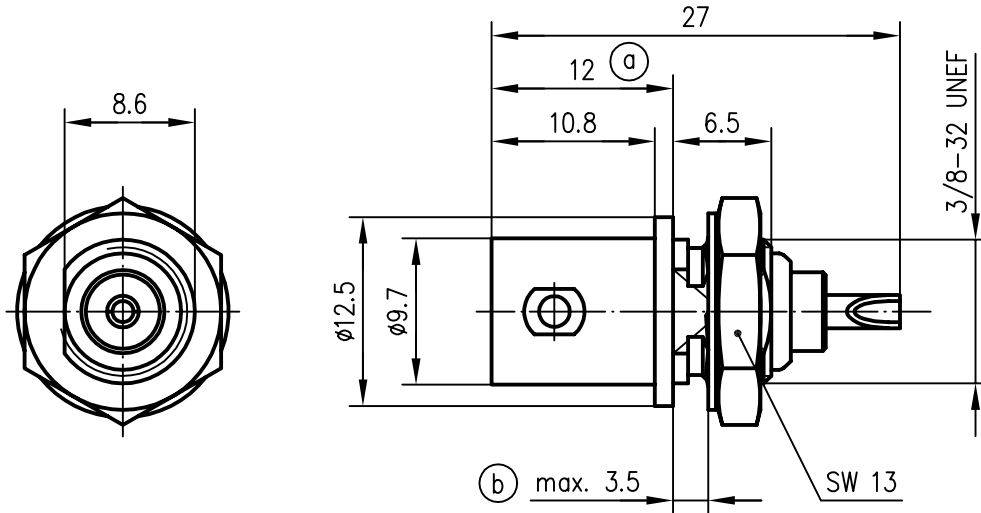


Anschlussmaße nach IEC 60169-8 /
 dimensions according to IEC 60169-8



| | | |
|--------------------------------------|-----------|--------|
| Außenleiter / outer conductor | CuZn39Pb3 | Cu2Ni5 |
| Innenleiter / inner conductor | CuBe2 | Cu2Ag5 |
| Isolierung / insulator | PTFE | |
| Mutter / nut | CuZn39Pb3 | Cu2Ni5 |
| Fächerscheibe / serrated lock washer | CuSn6 | Cu2Ni5 |
| Montage / assembly | Z01 | |

| | | | | | | | |
|--|-------|----------|----|---|---------------------------|-----------|------------------------|
| b | 15276 | 10.03.04 | MA | 96 | Datum/date | Name/name | Werkstoff/ material |
| | | | | gez./drawn | 19.01. | BJ | |
| a | 9128 | 18.05.98 | BJ | gepr./appr. | 19.01.96 | BI | Oberfläche/ finish |
| | | | | Norm/stand. | | | |
| Maßstab/scale | | | | Benennung/title | | | |
| 2:1 | | | | BNC-Einbaubuchse BNC-Bulkhead Receptacle | | | |
| untol. Maße/ dim. without tolerances according to | | | | Unterl./doc.type | Zeichnungsnr./drawing no. | | |
| | | | | K | J01001B0615 | | |
| Ersatz für/ replaces | | | | Zeichnung vom 7.11.83 | | | |
| | | | | Telegärtner Maß/e/dimensions: mm Original: DIN A4 | | | |
| | | | | | | | |