

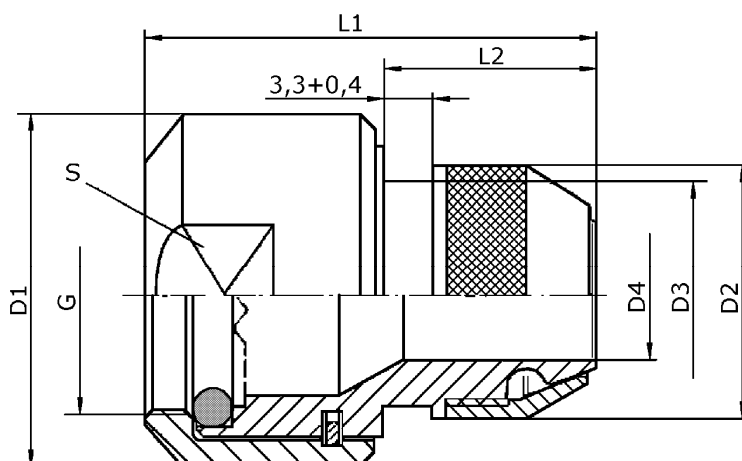
# Einzelkonus-Adapter: Single Cone Adapter: A39-620-\_\_



für Steckverbinder nach Serien:

for connectors to series: MIL-DTL-38999 Series III & IV

**auch geeignet für Kabel mit doppeltem Schirmgeflecht**  
*also suitable for double screened cables*



Größe : Size:	D1 ±0,2	D2 max	D3 -0,3	D4 min	L1 max	L2 max	S -0,2	G Gewinde Thread	ADM*  Nm	Chemisch vernickelt Electroless nickel plated <b>ROHS- conform</b>	Cd grün chromatiert Cd green chromate	Grün über ZnNi Green over ZnNi  <b>ROHS-conform</b>	Schwarz über ZnNi Black over ZnNi  <b>ROHS-conform</b>
9/A	19	14,0	12,0	6,2	34,0	16,2	17	M12x1	7+0,5	A39-620-051	A39-620-061	A39-620-0U1	A39-620-0J1
9/A	19	14,0	12,0	5,0	34,0	16,2	17	M12x1	7+0,5	A39-620-15D	A39-620-16D	A39-620-1UD	A39-620-1JD
9/A	19	16,0	14,0	7,0	35,0	17,2	17	M12x1	7+0,5	A39-620-152	A39-620-162	A39-620-1U2	A39-620-1J2
9/A	19	18,0	16,0	9,5	35,0	17,2	17	M12x1	7+0,5	A39-620-153	A39-620-163	A39-620-1U3	A39-620-1J3
9/A	19	25,0	23,0	15,5	35,0	18,2	17	M12x1	7+0,5	A39-620-155	A39-620-165	A39-620-1U5	A39-620-1J5
11/B	22	16,0	14,0	7,0	35,0	17,2	20	M15x1	7+0,5	A39-620-052	A39-620-062	A39-620-0U2	A39-620-0J2
11/B	22	14,0	12,0	5,0	34,0	16,2	20	M15x1	7+0,5	A39-620-25D	A39-620-26D	A39-620-2UD	A39-620-2JD
11/B	22	18,0	16,0	9,5	35,0	17,2	20	M15x1	7+0,5	A39-620-253	A39-620-263	A39-620-2U3	A39-620-2J3
11/B	22	22,0	19,7	12,5	35,0	18,2	20	M15x1	7+0,5	A39-620-254	A39-620-264	A39-620-2U4	A39-620-2J4
11/B	22	25,0	23,0	15,5	35,0	18,2	20	M15x1	7+0,5	A39-620-255	A39-620-265	A39-620-2U5	A39-620-2J5
13/C	25	18,0	16,0	9,5	35,0	17,2	23	M18x1	12±1	A39-620-053	A39-620-063	A39-620-0U3	A39-620-0J3
13/C	25	14,0	12,0	6,2	35,0	16,2	23	M18x1	12±1	A39-620-351	A39-620-361	A39-620-3U1	A39-620-3J1
13/C	25	22,0	19,7	12,5	36,0	18,2	23	M18x1	12±1	A39-620-354	A39-620-364	A39-620-3U4	A39-620-3J4
13/C	25	25,0	23,0	15,5	36,0	18,2	23	M18x1	12±1	A39-620-355	A39-620-365	A39-620-3U5	A39-620-3J5
13/C	25	28,0	24,5	18,5	36,0	18,2	23	M18x1	12±1	A39-620-356	A39-620-366	A39-620-3U6	A39-620-3J6
15/D	29	22,0	20,0	12,5	36,0	18,2	27	M22x1	12±1	A39-620-054	A39-620-064	A39-620-0U4	A39-620-0J4
15/D	29	14,0	12,0	6,2	36,0	16,2	27	M22x1	12±1	A39-620-451	A39-620-461	A39-620-4U1	A39-620-4J1
15/D	29	18,0	16,0	9,5	35,0	17,2	27	M22x1	12±1	A39-620-453	A39-620-463	A39-620-4U3	A39-620-4J3
15/D	29	25,0	23,0	15,5	36,0	18,2	27	M22x1	12±1	A39-620-455	A39-620-465	A39-620-4U5	A39-620-4J5
15/D	29	28,0	24,5	18,5	36,0	18,2	27	M22x1	12±1	A39-620-456	A39-620-466	A39-620-4U6	A39-620-4J6

17/E	32	25,0	23,0	15,5	36,0	18,2	30	M25x1	15±1	A39-620-055	A39-620-065	A39-620-0U5	A39-620-0J5
17/E	32	14,0	12,0	6,2	36,0	16,2	30	M25x1	15±1	A39-620-551	A39-620-561	A39-620-5U1	A39-620-5J1
17/E	32	16,0	14,0	7,0	36,0	17,2	30	M25x1	15±1	A39-620-552	A39-620-562	A39-620-5U2	A39-620-5J2
17/E	32	18,0	16,0	9,5	36,0	17,2	30	M25x1	15±1	A39-620-553	A39-620-563	A39-620-5U3	A39-620-5J3
17/E	32	22,0	20,0	12,5	36,0	18,2	30	M25x1	15±1	A39-620-554	A39-620-564	A39-620-5U4	A39-620-5J4
17/E	32	32,0	28,5	19,8	36,0	18,2	30	M25x1	15±1	A39-620-55E	A39-620-56E	A39-620-5UE	A39-620-5JE
19/F	36	28,0	24,5	18,5	36,0	18,2	34	M28x1	15±1	A39-620-056	A39-620-066	A39-620-0U6	A39-620-0J6
19/F	36	18,0	16,0	9,5	36,0	17,2	34	M28x1	15±1	A39-620-653	A39-620-663	A39-620-6U3	A39-620-6J3
19/F	36	22,0	20,0	12,5	36,0	18,2	34	M28x1	15±1	A39-620-654	A39-620-664	A39-620-6U4	A39-620-6J4
19/F	36	25,0	23,0	15,5	36,0	18,2	34	M28x1	15±1	A39-620-655	A39-620-665	A39-620-6U5	A39-620-6J5
19/F	36	32,0	28,5	21,5	36,0	18,2	34	M28x1	15±1	A39-620-657	A39-620-667	A39-620-6U7	A39-620-6J7
19/F	36	32,0	28,5	21,5	46,0	18,2	34	M28x1	15±1	A39-620-657L	A39-620-667L	A39-620-6U7L	A39-620-6J7L
21/G	39	32,0	28,5	21,5	36,0	18,2	37	M31x1	15±1	A39-620-057	A39-620-067	A39-620-0U7	A39-620-0J7
21/G	39	18,0	16,0	9,5	36,0	17,2	37	M31x1	15±1	A39-620-753	A39-620-763	A39-620-7U3	A39-620-7J3
21/G	39	22,0	20,0	12,5	36,0	18,2	37	M31x1	15±1	A39-620-754	A39-620-764	A39-620-7U4	A39-620-7J4
21/G	39	25,0	23,0	15,5	36,0	18,2	37	M31x1	15±1	A39-620-755	A39-620-765	A39-620-7U5	A39-620-7J5
21/G	39	28,0	24,5	18,5	36,0	18,2	37	M31x1	15±1	A39-620-756	A39-620-766	A39-620-7U6	A39-620-7J6
21/G	39	38,0	34,5	27,5	36,0	18,2	37	M31x1	15±1	A39-620-759	A39-620-769	A39-620-7U9	A39-620-7J9
23/H	43	34,0	30,5	23,5	36,0	18,2	41	M34x1	19±1	A39-620-058	A39-620-068	A39-620-0U8	A39-620-0J8
23/H	43	25,0	23,0	15,5	36,0	18,2	41	M34x1	19±1	A39-620-855	A39-620-865	A39-620-8U5	A39-620-8J5
23/H	43	28,0	24,5	18,5	36,0	18,2	41	M34x1	19±1	A39-620-856	A39-620-866	A39-620-8U6	A39-620-8J6
25/J	46	38,0	34,5	27,5	36,0	18,2	44	M37x1	19±1	A39-620-059	A39-620-069	A39-620-0U9	A39-620-0J9
25/J	46	22,0	20,0	12,5	36,0	18,2	44	M37x1	19±1	A39-620-954	A39-620-964	A39-620-9U4	A39-620-9J4
25/J	46	25,0	23,0	15,5	36,0	18,2	44	M37x1	19±1	A39-620-955	A39-620-965	A39-620-9U5	A39-620-9J5
25/J	46	28,0	24,5	18,5	36,0	18,2	44	M37x1	19±1	A39-620-956	A39-620-966	A39-620-9U6	A39-620-9J6
25/J	46	34,0	30,5	23,5	36,0	18,2	44	M37x1	19±1	A39-620-958	A39-620-968	A39-620-9U8	A39-620-9J8

\* empfohlene Anzugsdrehmomente

\* recommended fastening torque

Basismaterial: Aluminium

Base Material: Aluminum

Oberflächenbehandlung	Surface finish
A39-620-x5x Stromlos vernickelt, min. 48h salzsprühfest	A39-620-x5x Electroless nickel , min.48h salt spray resistant
A39-620-x6x Kadmium , grün chromatiert , unternickelt 500h salzsprühfest	A39-620-x6x Cadmium , green chromate over nickel 500h salt spray resistant
A39-620-xUx Grüne Lackierung im sichtbaren Bereich , über hart anodisierter Überwurfmutter und ZnNi-oberflächen-behandeltem Gehäuse und Rändelmutter. 500h salzsprühfest	A39-620-xUx Green varnish in the visible area, over hard anodized coupling ring and ZnNi plated shell and knurled nut. 500h salt spray resistance
A39-620-xJx Schwarz, hart anodisierte Überwurfmutter und schwarze Lackierung im sichtbaren Bereich , über ZnNi-oberflächen-behandeltem Gehäuse und Rändelmutter. 500h salzsprühfest	A39-620-xJx Black, hard anodized coupling ring and black varnish in the visible area, over ZnNi plated shell and knurled nut. 500h salt spray resistance