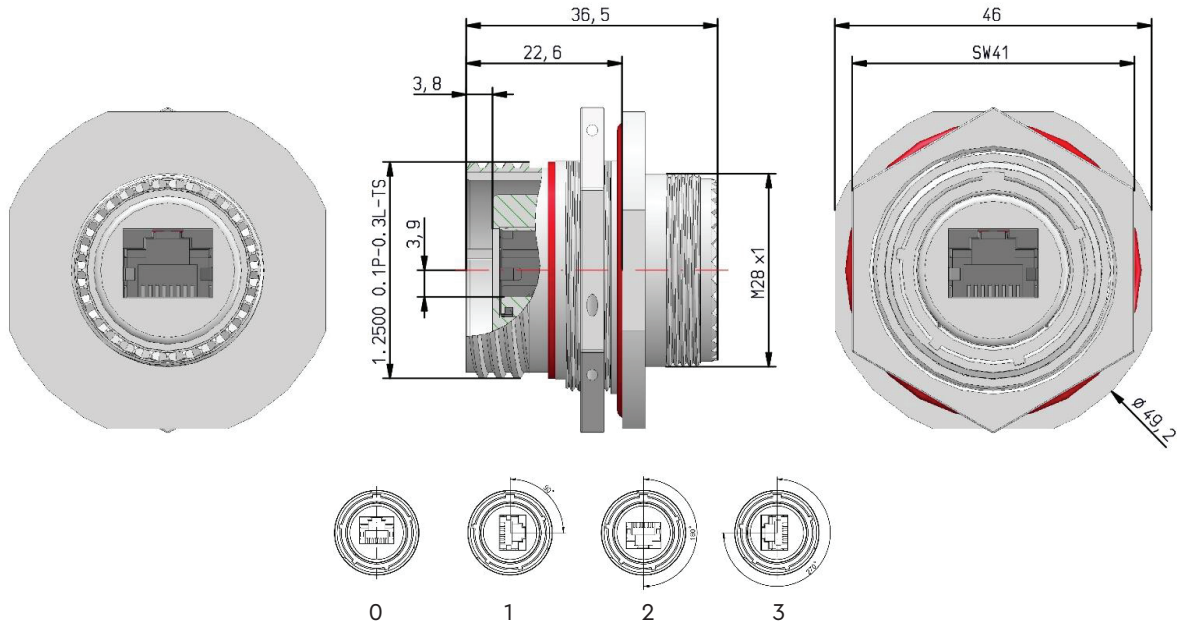


**X1-SERIES – RUGGED INDUSTRIAL ETHERNET
MIL-DTL-38999 SERIES III**



RJ45 orientation for more details see Table 4 in the full X1-Series brochure.

Material & Plating Code	Technical Design	ROHS-/REACH Conform	Electrically Conductive	Performance	
J	Black Hybrid finish (Al-alloy)	Yes	Yes	Voltage Rating AC:	35 V
5	Electroless nickel (Al-alloy)	Yes	Yes	Voltage Rating DC:	50 V
2	Zinc-Nickel black (Al-alloy)	Yes	Yes	Temperature:	-40°C to +120°C
6	Cadmium olive drab (Al-alloy)	No	Yes	Mating cycles:	>500
9	Marine Bronze	Yes	Yes	Data transmission:	10 Gbit/s (500Mhz)
1	Stainless Steel passivated	Yes	Yes	Pin mapping:	1:1 (e.g. Pin1 : Pin1)

For details about materials/plating please see Table 2 in the full X1-Series brochure.

Ground of RJ45s connected to housing

Materials		HOW TO ORDER	TABLE	X1-9889	19	5	N	0
RJ45 Housing:	Thermoplastic UL94 V-0	BASIC PART NUMBER	1					
RJ45 Shield Plating:	Tin or Nickel	SHELL SIZE	1					
RJ45 Shield:	Copper Alloy	MATERIAL- & PLATING CODE	2					
Contacts Plating:	Selective Gold (1,27µm)	KEYWAY POLARIZATION	3					
Contacts Plating:	Nickel Plated	RJ45 ORIENTATION	4					
Contacts:	Copper Alloy							
Housing:	See option material							
PCB	FR4, UL94V-0							

ORDER EXAMPLE: X1-9889-19-5 N 0 → Cat6a Feedthrough – Jam Nut, size 19, electroless nickel, keyway=N(standard), RJ45 Position= 0°