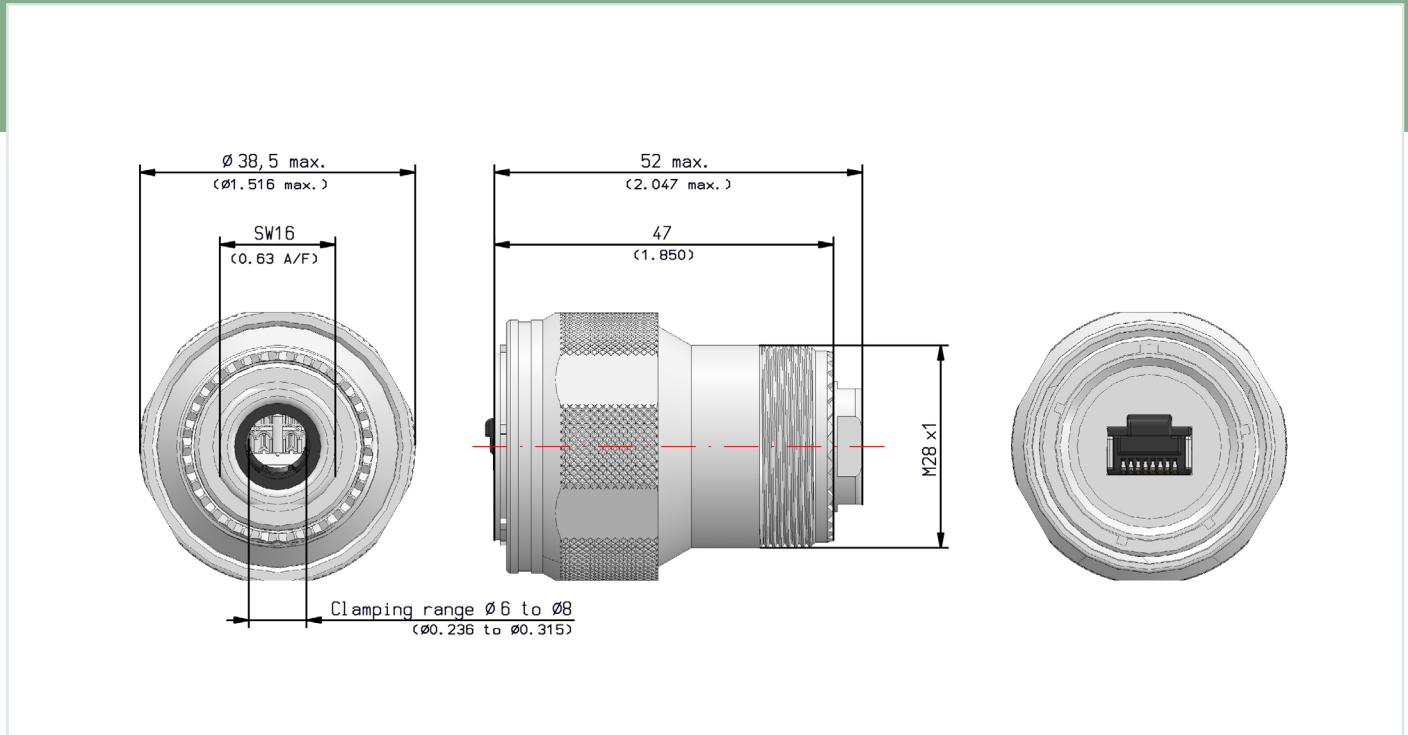


RJ45 CAT6A – FIELD TERMINATION PLUG X1-9878



INFORMATION

All dimensions in mm (inch) unless otherwise specified.

Mates with RJFTV

Shell derived from D38999

PN: X1-9878

Datasheet Version: 1.0

CATALOGUE:

Harsh Environment

Data Connectivity Solutions

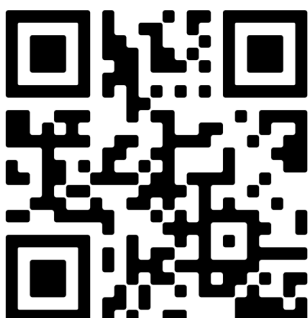


Table A: Material & Plating

Material & Plating Code	Technical Design	ROHS-/REACH Compliant	Electrically Conductive	Salt Spray Resistance according to MIL spec.	Salt Spray Resistance according to VG spec.
V	Tin-Zinc grey Base material: Al-alloy Tin-Zinc over electroless Nickel	Yes	Yes	500 hrs	5 day cyclic
5	Electroless Nickel Base material: Al-alloy	Yes	Yes	48 hrs	n.a.
2	Zinc-Nickel black Coupling ring: Al-alloy, black anodized Shell: Zinc-Nickel black chromate over electroless Nickel	Yes	Yes	500 hrs	n.a.
6	Cadmium olive drab Coupling ring: Al-alloy, olive drab anodized Shell: Al-alloy Cadmium plated olive drab over electroless Nickel	No	Yes	500 hrs	5 day cyclic
9	Marine Bronze Base material: Marine Bronze CuAl10Ni5Fe4 (CW307G) Shotblast, nonreflective	Yes	Yes	n.a.	n.a.
1	Stainless Steel / passivated	Yes	Yes	n.a.	n.a.

Performance

Voltage rating AC	35 V
Voltage rating DC	50 V
Temperature	-40 °C to +120 °C
Mating cycles	>500
Data transmission	10 Gbit/s (500 Mhz)
IDC wire gauge	22 - 26 AWG

Ground of RJ45s connected to housing.

Materials

RJ45 housing	Zinc alloy
Contacts plating	Selective Gold 1,27µm (50 µin)
Contacts plating	Nickel plated
Contacts	Phosphor bronze alloy
Housing	See option material
IDC	Phosphor bronze alloy with 2,54 µm (100 µin) 100% Sn alloy
Grommet	Polyoxymethylen copolymer

For details about keyway polarization see table 1 in the full „Harsh Environment Data Connectivity Solutions“ catalogue.

How to order

Table X1-9878 19 5 N

Basic part number

Shell size

Material & plating code

A

Keyway polarization

1

RJ45 orientation can be selected during assembly. Field termination plug, no special tooling required.

ORDER EXAMPLE

X1-9878-19-5 N

CAT6A FIELD TERMINATION PLUG

SIZE 19

ELECTROLESS NICKEL

KEYWAY=N (STANDARD)

EMCA CONNECTOR SOLUTIONS GMBH

X1-9878 | Datasheet Version 1.0

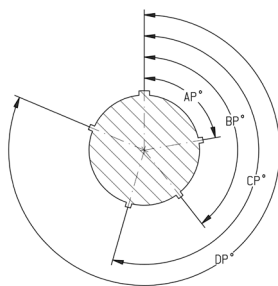
SALES@EMCA-CONNECTOR.DE

TABLES

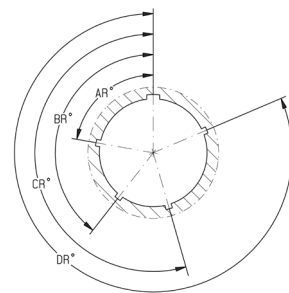
Table 1: Key/Keyway Polarization

Shell size 19 for RJ45 X1-Series

Key & Keyway Arrangement Identification Letter	AR° or AP°	BR° or BP°	CR° or CP°	DR° or DP°
N	80	142	196	293
A	135	170	200	310
B	49	169	200	244
C	66	140	200	257
D	62	145	180	280
E	79	153	197	272



Keys of Plug



Keyways of Receptacle

Table 2: RJ45 Orientation

RJ45 Orientation Code	Description	Angle
0	Tab Up	0°
1	Tab Right	90°
2	Tab Down	180°
3	Tab Left	270°

