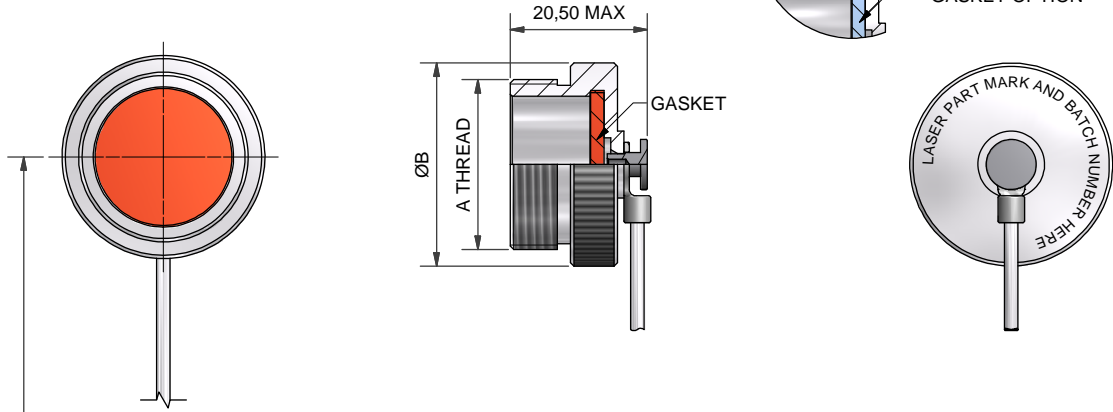
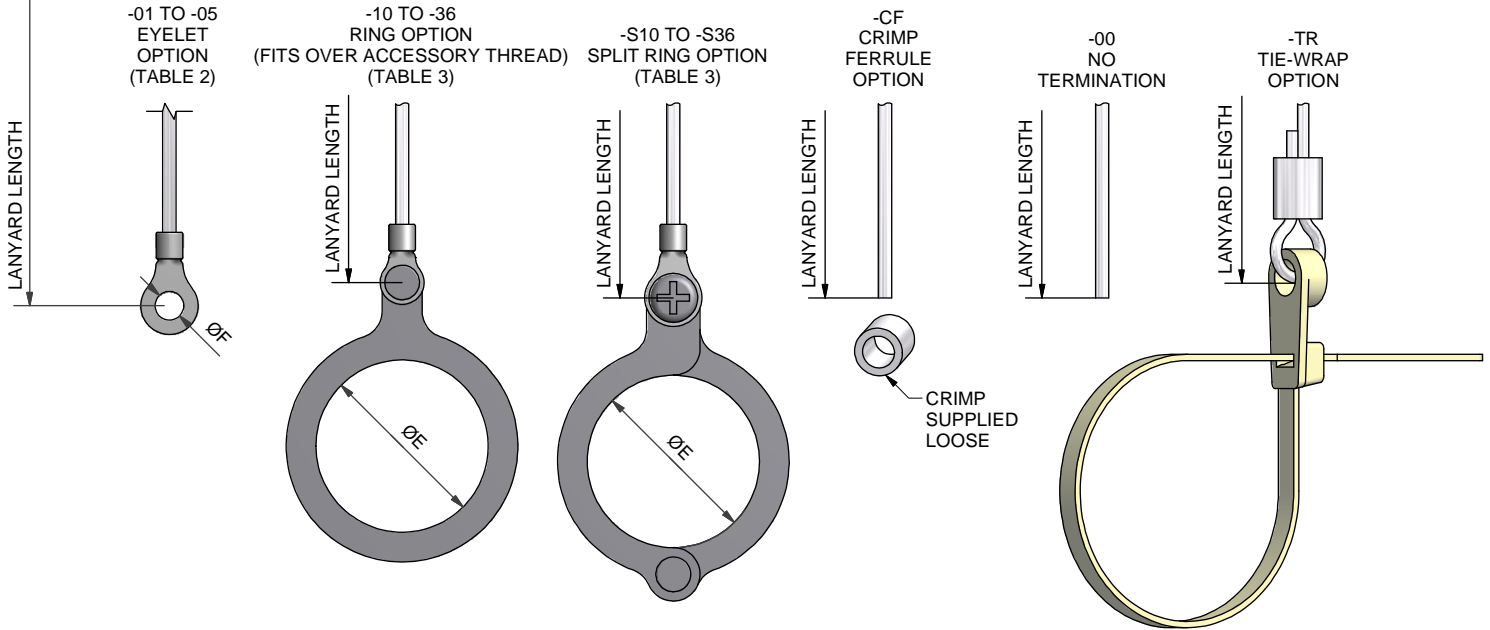


WITH ATTACHMENT



ATTACHMENT OPTIONS:



OMIT FOR NO ATTACHMENT
(SEE SHEET 2)

100P1167-16-1-C-WR4-16

SERIES
 INSERT 'F' FOR FLUOROSILICONE GASKET
 OMIT FOR STANDARD SILICONE GASKET
 SHELL SIZE (TABLE 1)
 MATERIAL (TABLE 5)
 FINISH (TABLE 6)
 LANYARD TYPE (TABLE 4)
 LANYARD LENGTH (IN INCHES)
 +1,0"/-0" TOLERANCE
 ATTACHMENT (SEE ABOVE)

DRAWN	J.CLARK	DATE	03/12/2008
SALES APPR		DATE	03/12/2008
DESIGN APPR			
PROD APPR			
QUAL APPR			
ISSUE	DCR		
2	3969		
NCAGE CODE U5792		WEIGHT	

	3RD ANGLE PROJECTION NOT TO SCALE
UNLESS OTHERWISE SPECIFIED ALL DIMENSIONS IN MILLIMETRES	
GENERAL TOL LINEAR +/-0.25MM ANGULAR +/- 1°	
MATERIAL SEE TABLE 5	
FINISH SEE TABLE 6	

	POLAMCO LTD www.polamco.com	WESTON LOCK LOWER BRISTOL ROAD BATH BA2 1EP
ASSY USED ON: MIL-DTL-5015		
TITLE: PLUG PROTECTION COVER		
PART NUMBER: 100P1167 SERIES		

THIS DRAWING IS COPYRIGHT AND THE PROPERTY OF POLAMCO LTD IT MUST NOT BE COPIED, USED FOR MANUFACTURE OR OTHERWISE DISCLOSED WITHOUT PRIOR WRITTEN CONSENT OF THE COMPANY.	
DRAWING NO: P12066	SHT 1

TABLE 1

SHELL SIZE	A THREAD	ØB MAX
10SL	5/8-24 UNEF	24,2
12S	3/4-20 UNEF	24,2
14S	7/8-20 UNEF	26,6
16S	1-20 UNEF	30,4
16	1-20 UNEF	30,4
18	1 1/8-18 UNEF	32,5
20	1 1/4-18 UNEF	35,7
22	1 3/8-18 UNEF	38,9
24	1 1/2-18 UNEF	42,1
28	1 3/4-18 UNS	48,5
32	2-18 UNS	54,8
36	2 1/4-16UN	60,2

TABLE 2

EYELET REF.	ØF
01	3,2
02	3,7
03	4,3
04	5,3
05	6,4

TABLE 3

RING REF.	ØE
10	16,1
12	19,4
14	22,6
16	25,8
18	27,8
20	30,6
22	34,1
24	36,9
28	44,6
32	51,2
36	57,5

TABLE 4

CODE	LANYARD TYPE
WR	NYLON COVERED (CLEAR) STAINLESS STEEL WIRE ROPE
TC	TEFLON COVERED (CLEAR) STAINLESS STEEL WIRE ROPE
WG	TEFLON COVERED (OLIVE DRAB) STAINLESS STEEL WIRE ROPE
WB	TEFLON COVERED (BLACK) STAINLESS STEEL WIRE ROPE
WRB	PVC COVERED (BLACK) STAINLESS STEEL WIRE ROPE
LC	LINK CHAIN
BK	BLACK CORD
VGB	1,5mm BLACK POLYESTER CORD EQV. TO DIN83330-E1,5
B	BEAD CHAIN
R	OLIVE DRAB POLYESTER CORD
NB	OLIVE DRAB NYLON CORD
NK	BLACK NYLON CORD

TABLE 5

CODE	MATERIAL
1	ALUMINIUM
2	NICKEL ALUMINIUM BRONZE
4	STAINLESS STEEL
7	BLACK ACETAL
74	COMPOSITE

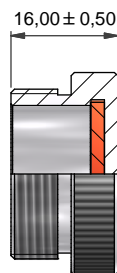
LIST NOT EXHAUSTIVE, SEE MATERIAL TABLE FOR OTHER OPTIONS

TABLE 6

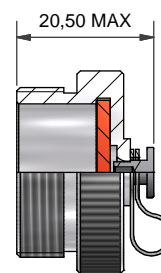
CODE	DESCRIPTION
B	CADIUM, OLIVE DRAB OVER ELECTROLESS NICKEL
C	ELECTROLESS NICKEL
G	BLACK ANODISE, SULPHURIC
J	PASSIVATE
U	UNPLATED CLEAN FINISH NOT SHOT BLASTED
Z	SHOT BLAST FOR NON-REFLECTIVE FINISH
ZB	ZINC COBALT OLIVE DRAB OVER ELECTROLESS NICKEL
ZN	ZINC NICKEL BLACK PASSIVATE OVER ELECTROLESS NICKEL

LIST NOT EXHAUSTIVE, SEE PLATING TABLE FOR OTHER OPTIONS

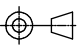

WITHOUT ATTACHMENT



100P1167-16-1-C
NO ATTACHMENT VERSION



100P1167-16-1-C-EO
EYELET ONLY VERSION
(NO LANYARD)

DRAWN	J.CLARK	DATE 03/12/2008	 3RD ANGLE PROJECTION NOT TO SCALE	 POLAMCO LTD www.polamco.com	WESTON LOCK LOWER BRISTOL ROAD BATH BA2 1EP	THIS DRAWING IS COPYRIGHT AND THE PROPERTY OF POLAMCO LTD IT MUST NOT BE COPIED, USED FOR MANUFACTURE OR OTHERWISE DISCLOSED WITHOUT PRIOR WRITTEN CONSENT OF THE COMPANY.
SALES APPR		03/12/2008				
DESIGN APPR			UNLESS OTHERWISE SPECIFIED ALL DIMENSIONS IN MILLIMETRES GENERAL TOL LINEAR +/-0.25MM ANGULAR +/- 1°	ASSY USED ON: MIL-DTL-5015	TITLE: PLUG PROTECTION COVER	
PROD APPR			MATERIAL SEE TABLE 5	TITLE: PLUG PROTECTION COVER	PART NUMBER: 100P1167 SERIES	DRAWING NO: P12066
QUAL APPR			FINISH SEE TABLE 6	PART NUMBER: 100P1167 SERIES	DRAWING NO: P12066	SHT 2
ISSUE 2	DCR 3969					
NCAGE CODE U5792		WEIGHT				